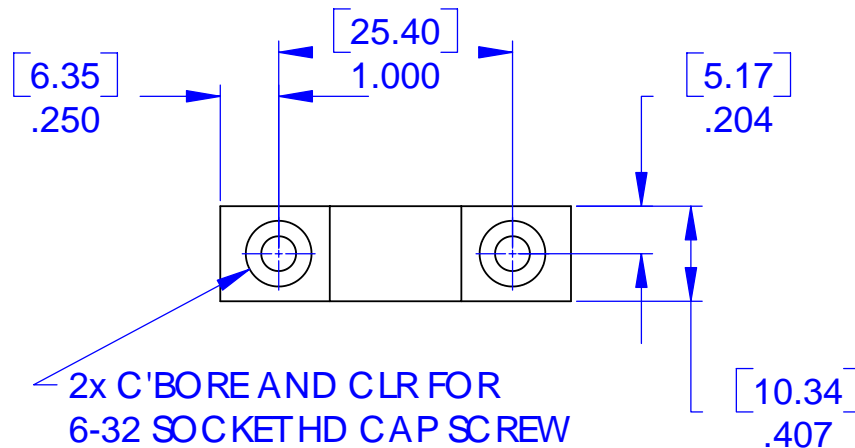
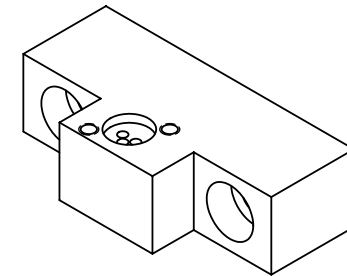


2x 2-56x.25
BTN OR PAN HD SCREWS



2x C'BORE AND CLR FOR
6-32 SOCKET HD CAP SCREW

DIMENSIONS ARE IN: [MILLIMETERS]
INCHES

THESE DRAWINGS AND SPECIFICATIONS ARE THE EXCLUSIVE PROPERTY OF SNAKE CREEK LASERS LLC AND SHALL NOT BE USED FOR ANY PURPOSE EXCEPT THE MANUFACTURE OF GOODS FOR SAID COMPANY.

DRAWN: Lonnie L. Bennett
DATE: 8/10/2004
ENG: Dr. Dave Brown
UNLESS OTHERWISE SPECIFIED
DIMENSIONS ARE IN INCHES [MILLIMETERS]
TOLERANCES ARE:
2 PLACES ± .01
3 PLACES ± .005
DO NOT SCALE DRAWING

SNAKE CREEK LASERS LLC
Advanced Solid-State Lasers

Snake Creek Lasers, LLC
RR2 Box 2753
1 Technology Drive
Hallstead, PA. 18822

PRODUCT: Heatsink Mount, 5.6mm Laser

A

DWG. NO.

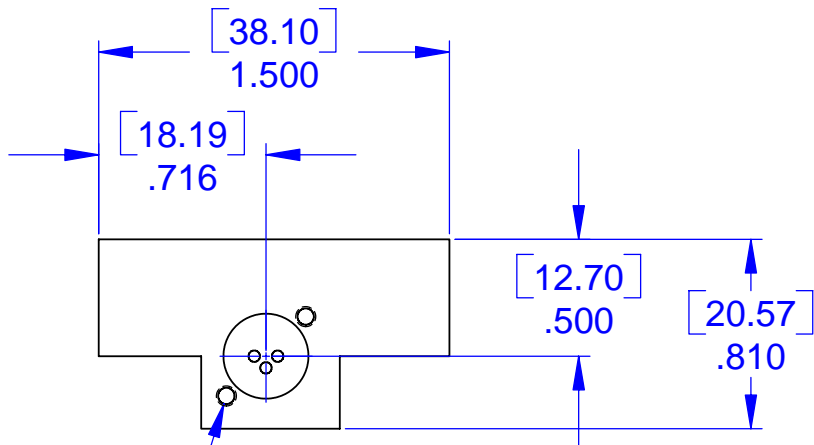
SCL-HS-5.6 MM

REV

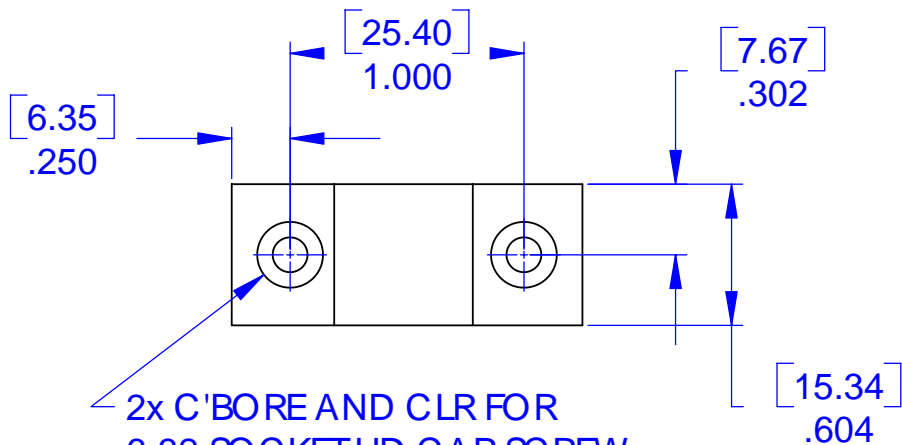
6

SCALE: 1.25:1

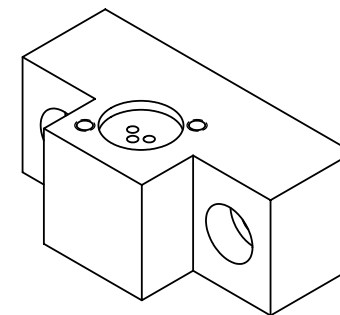
SHEET: 1 of 1



2x 2-56x.25
BTN OR PAN HD SCREWS



2x C'BORE AND CLR FOR
6-32 SOCKET HD CAP SCREW



DIMENSIONS ARE IN: [MILLIMETERS]
INCHES

THESE DRAWINGS AND SPECIFICATIONS ARE THE EXCLUSIVE PROPERTY OF SNAKE CREEK LASERS LLC AND SHALL NOT BE USED FOR ANY PURPOSE EXCEPT THE MANUFACTURE OF GOODS FOR SAID COMPANY.

DRAWN: Lonnie L. Bennett	SNAKE CREEK LASERS LLC 	Snake Creek Lasers, LLC RR2 Box 2753 1 Technology Drive Hallstead, PA. 18822	
DATE: 8/10/2004		PRODUCT: Heatsink Mount, 9.0MM Laser	
ENG: Dr. Dave Brown	A DWG. NO. SCL-HS-9.0 MM REV 3		
<small>UNLESS OTHERWISE SPECIFIED DIMENSIONS ARE IN INCHES [MILLIMETERS] TOLERANCES ARE:</small> 2 PLACES ± .01 3 PLACES ± .005 DO NOT SCALE DRAWING		SCALE: 1.25:1	SHEET: 1 of 1