

MicroGreen™ XG Series Laser

Miniature green DPSS laser, designed for applications requiring hours of continuous-wave operation per event. Made in USA.



MicroGreen™ XG laser displayed on a quarter

Key Features:

- **Small Size**
- **High Quality**
- **Good Stability**
- **Highly Reliable**
- **Constant Current Operation**

Optical Specifications	MicroGreen™ XG-15	MicroGreen™ XG-30
Minimum Output Power (mW)	15	30
Output Center Wavelength (nm)	532 +/- 1	
Recommended Operating Temperature Range (°C)	20 - 30	
2-Hour Power Stability @ Constant Current & Temp. (%)	< +/- 5 ¹	
Polarization Ratio (typ.)	4:1	
Full Angle (1/e ²) Divergence (mrad, typ.)	7.5	
Beam Diameter (1/e ²) at Output Window (µm, typ.)	100	
Mode Quality (M ² , typ.)	1.1	
Ellipticity (%)	90 - 100	
Residual 1064nm Leakage (%)	< 1	

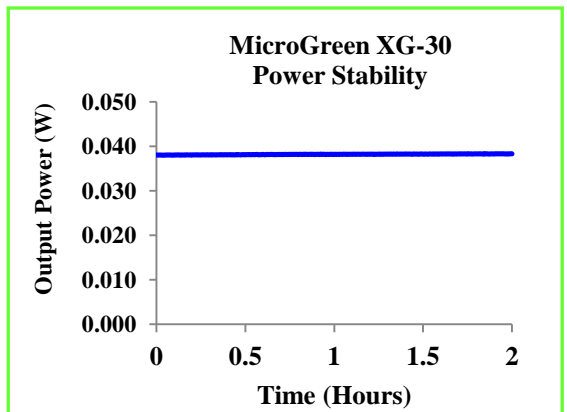
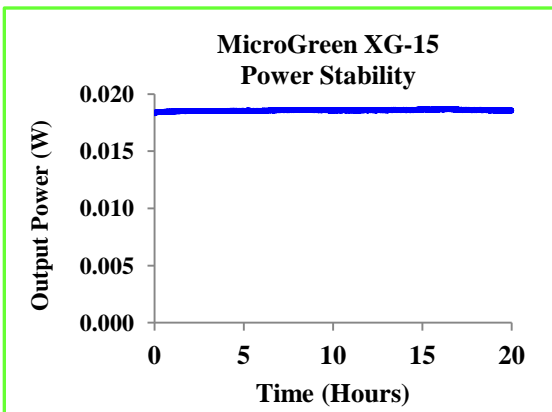
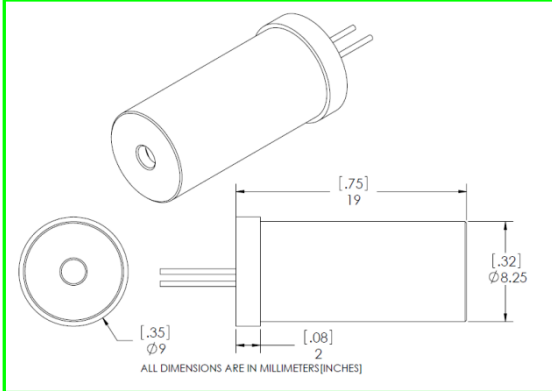
Electrical Input Requirements	
Voltage (V)	< 2.2
Max. Current (mA)	< 385
Max. Electrical Power (W)	< 0.85

Other Specifications	
CDRH Class	IIIB
Storage (°C)	- 40 to + 80
MTBF Lifetime (Expected Hours)	> 5000

Note 1. With TEC-controlled heat sink, stability can be < 0.1%

Note 2. Specifications subject to change without notice.

Mechanical Specifications and Typical Output Power Stability Plots



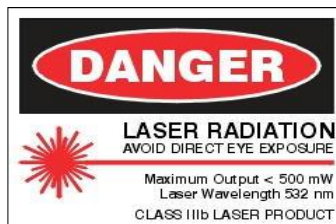
Notes

Snake Creek Lasers offers a limited warranty.

The MicroGreen™ XG Series is an electronic device, and, as such, subject to damages due to electro-static discharge, overpowering, and transients.

Thermal management of the MicroGreen™ XG Laser must be included in the OEM design. Failures due to inadequate thermal management will void the warranty.

Please refer to Snake Creek Lasers' Warranty Statement / Return Policy for details. For assistance with any integration issues, please contact our experienced Applications Team at info@snakecreeklasers.com.



This item is sold as an OEM laser component and does not fully comply with 21 CFR 1040 and IEC 60825-1 : 1993 as applicable.



26741 State Route 267, Suite 2
Friendsville, PA 18818
Telephone: 570-553-1120
www.snakecreeklasers.com