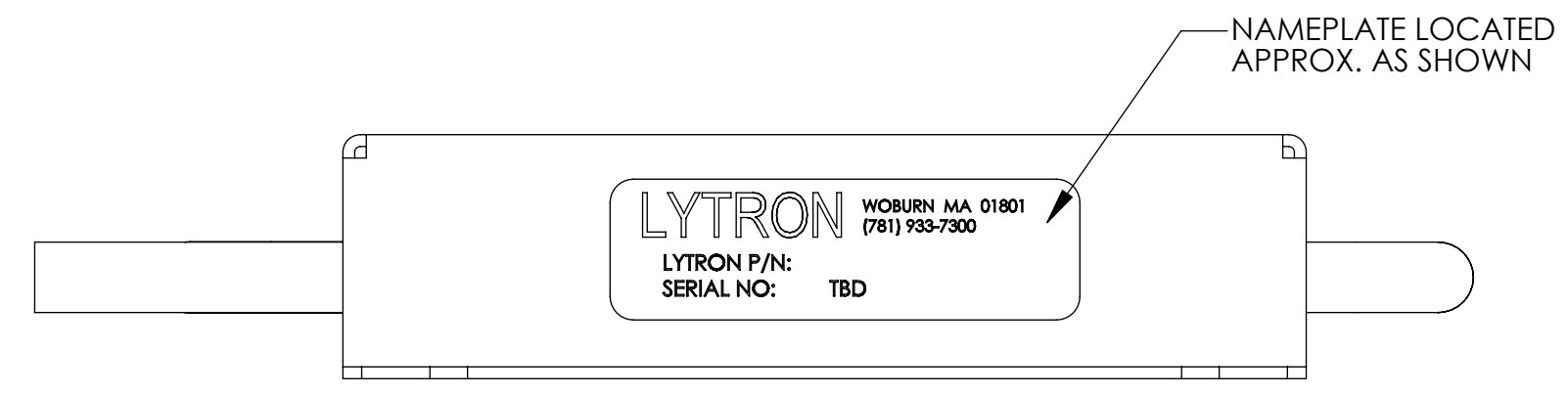
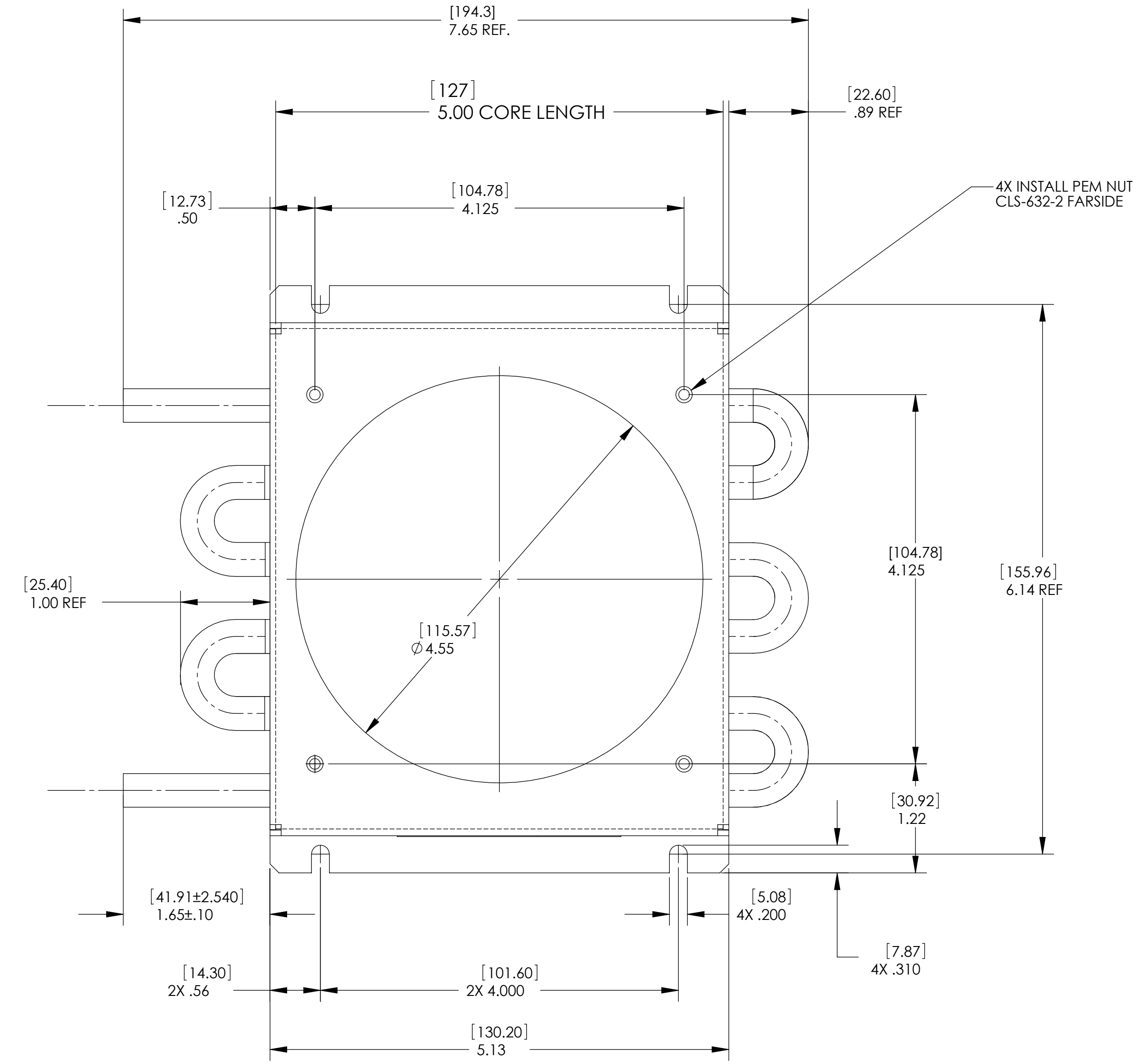
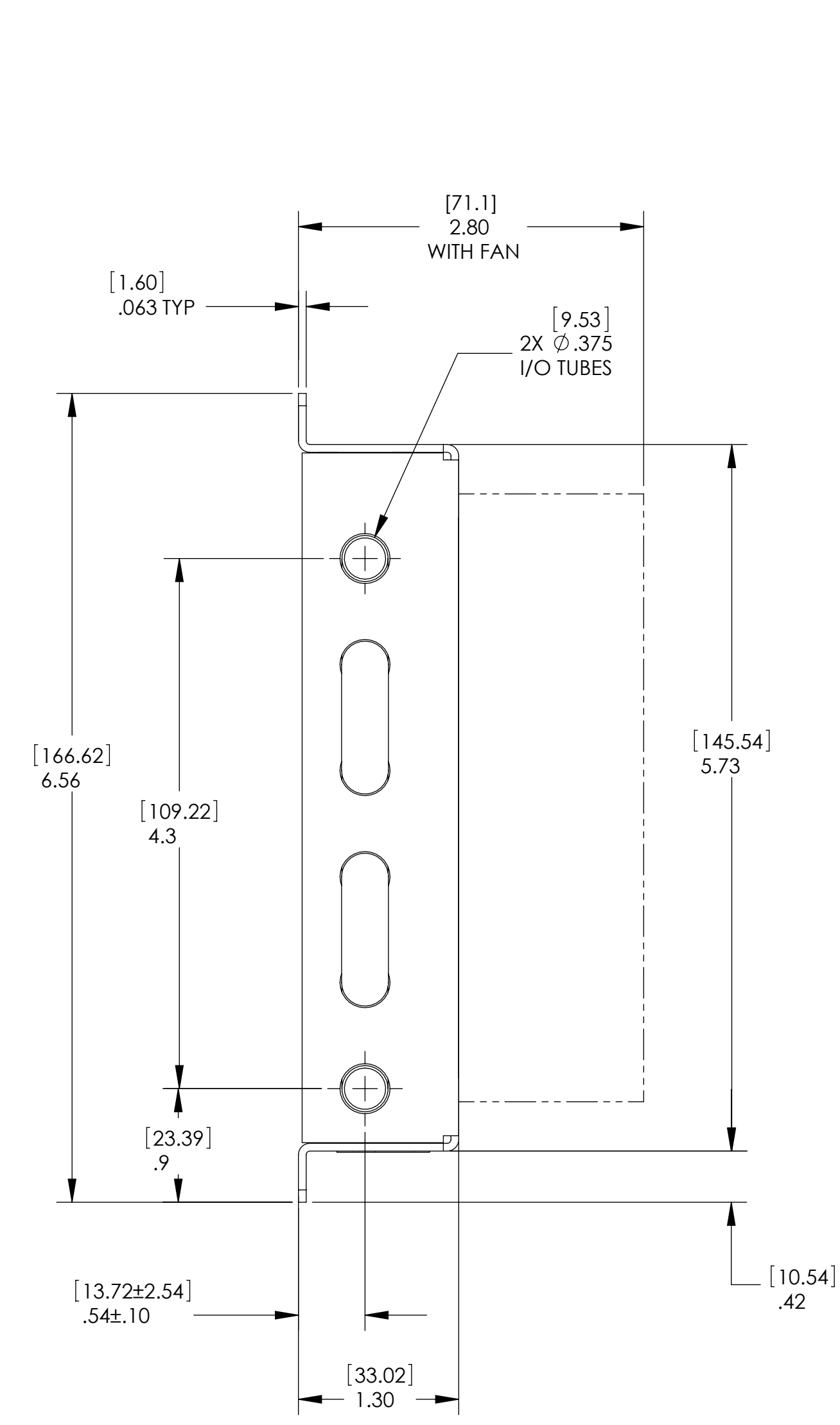


THIS DOCUMENT IS THE PROPERTY OF LYTRON, INC. AND REPRESENTS A PROPRIETARY ARTICLE ON WHICH LYTRON, INC. RETAINS ANY AND ALL PATENT AND OTHER RIGHTS, INCLUDING EXCLUSIVE RIGHTS OF USE AND/OR MANUFACTURE AND/OR SALE. POSSESSION OF THIS DOCUMENT DOES NOT CONVEY ANY PERMISSION TO REPRODUCE THE DOCUMENT OR MANUFACTURE THE ARTICLE OR ARTICLES SHOWN THEREIN.



MATERIAL	
TUBING AND FITTINGS	SS
OUTER FIN	COPPER
FRAME	ALUM

# 4105G1SB

- NOTES:
1. DIMENSIONS IN [ ] ARE IN MILLIMETERS.
  2. LEAK TEST- PNEUMATIC PRESSURE TEST AT 150 PSIG.

UNLESS OTHERWISE SPECIFIED	RE-DRN	DATE	LYTRON INCORPORATED WOBURN, MASSACHUSETTS				
ANGULAR DIMENSIONS ± 5° SURFACE ROUGHNESS (3.2 μm) BREAK EDGES .010 (25mm) MAX. REMOVE ALL BURRS	DRN		DRAWING TITLE <b>HEAT EXCHANGER ASSY</b>				
TOLERANCE ON DECIMALS	APPROVED		CORE CODE: M06-01-16-05.00				
INCH .X .XX .XXX ±.1 ±.06 ±.010 mm ±. ±. ±.	APPROVED		DO NOT SCALE THIS DRAWING	SIZE	FSCM NO.	DRAWING NO.	REV
THIRD ANGLE PROJECTION	MATERIAL	SEE TABLE		<b>D 11245</b>		<b>S-4105G1SB</b>	<b>H</b>
DIMENSIONS AND TOLERANCING ARE PER ANSI STD Y14.5	FINISH	NONE	SCALE	1/1	WT.		SHEET 1 OF 1