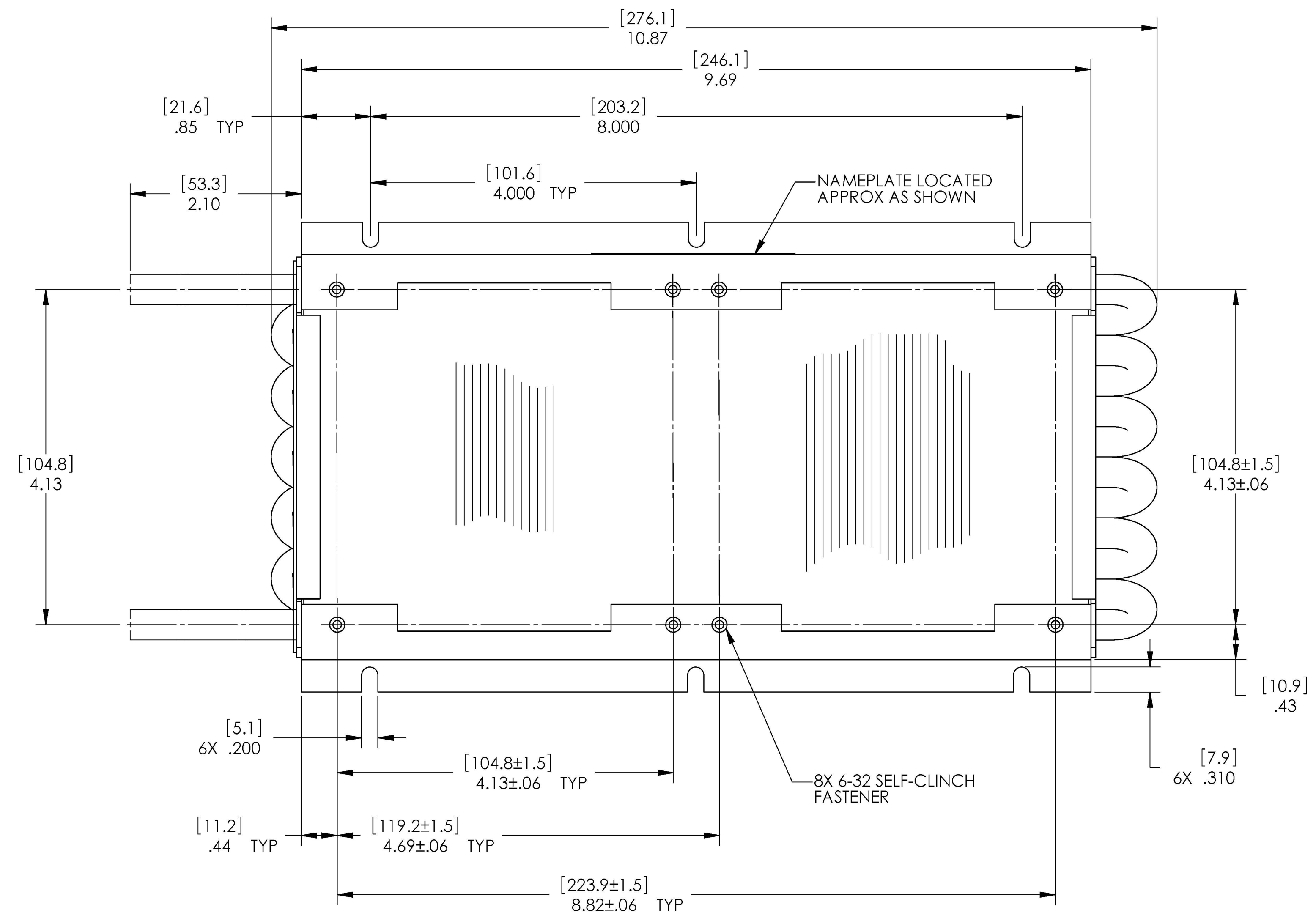
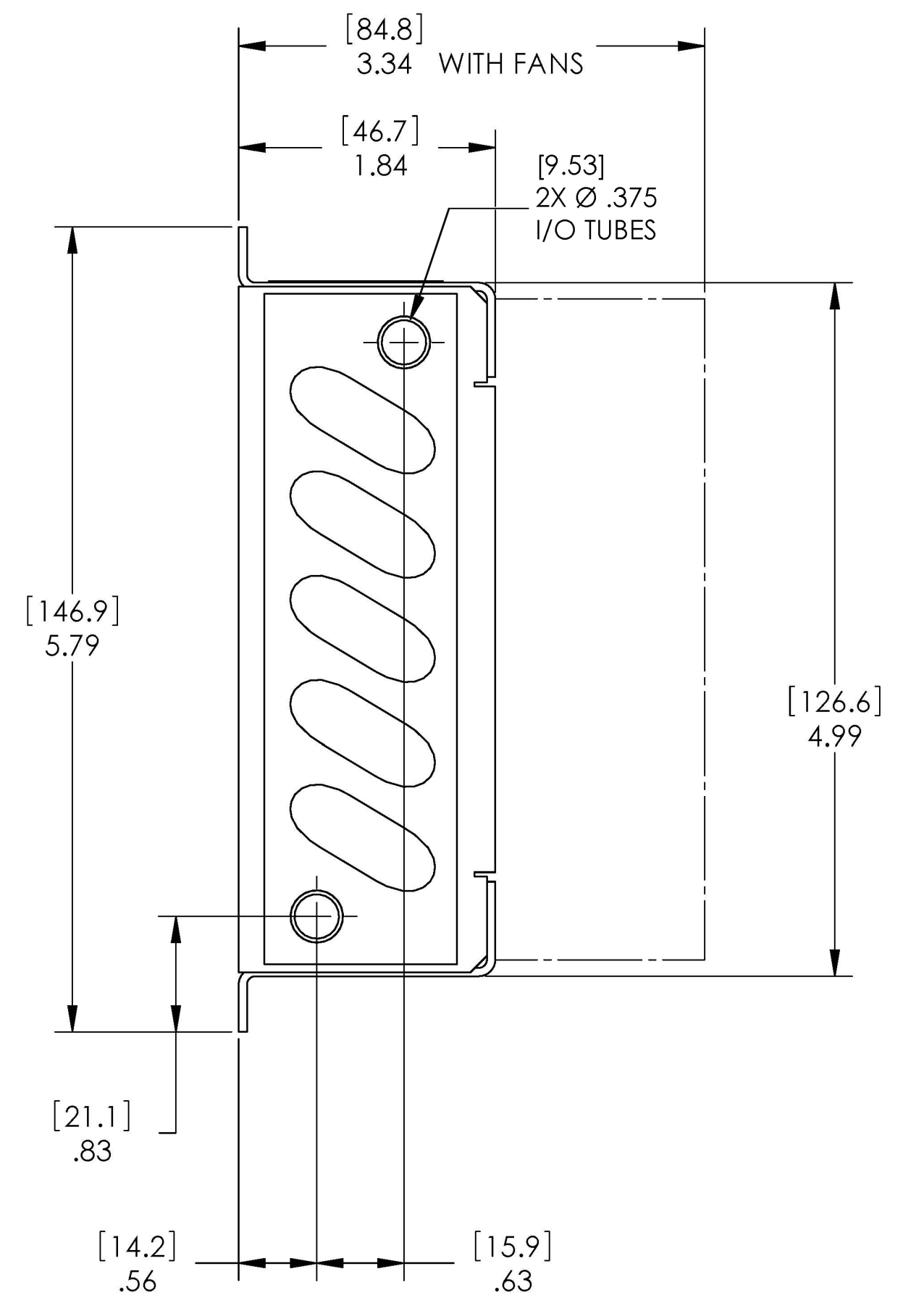


THIS DOCUMENT IS THE PROPERTY OF LYTRON, INC. AND REPRESENTS A PROPRIETARY ARTICLE ON WHICH LYTRON, INC. RETAINS ANY AND ALL PATENT AND OTHER RIGHTS, INCLUDING EXCLUSIVE RIGHTS OF USE AND/OR MANUFACTURE AND/OR SALE. POSSESSION OF THIS DOCUMENT DOES NOT CONVEY ANY PERMISSION TO REPRODUCE THE DOCUMENT OR MANUFACTURE THE ARTICLE OR ARTICLES SHOWN THEREIN.



MATERIAL	
TUBING CIRCUIT & FRAMING	SS
OUTER FIN	COPPER
FITTINGS	SS

- NOTES:
1. DIMENSIONS IN [] ARE IN MILLIMETERS.
 2. LEAK TEST- PNEUMATIC PRESSURE TEST AT 150 PSIG.

4120G10SB

UNLESS OTHERWISE SPECIFIED		REDRN	DATE	LYTRON INCORPORATED WOBRURN, MASSACHUSETTS		
ANGULAR DIMENSIONS ± 5° SURFACE ROUGHNESS 125 (3.2 μm) BREAK EDGES .010 (.25mm) MAX. REMOVE ALL BURRS		DRN		DRAWING TITLE HEAT EXCHANGER ASSY CORE CODE: L6-02-16-09.69		
TOLERANCE ON DECIMALS		CHK'D		DRAWING NO. S-4120G10SB		
INCH .X ±.X .XX ±.010 .XXX ±.010 mm ±2.5 ±XX ±XXX		APPV'D		SIZE	FSCM NO.	REV
THIRD ANGLE PROJECTION DIMENSIONS AND TOLERANCING ARE PER ANSI STD Y14.5		APPV'D		D	11245	N
		DO NOT SCALE THIS DRAWING		MATL	SEE TABLE	DRAWING NO.
				FINISH	NONE	WT.
				SCALE	1/1	SHEET 1 OF 2