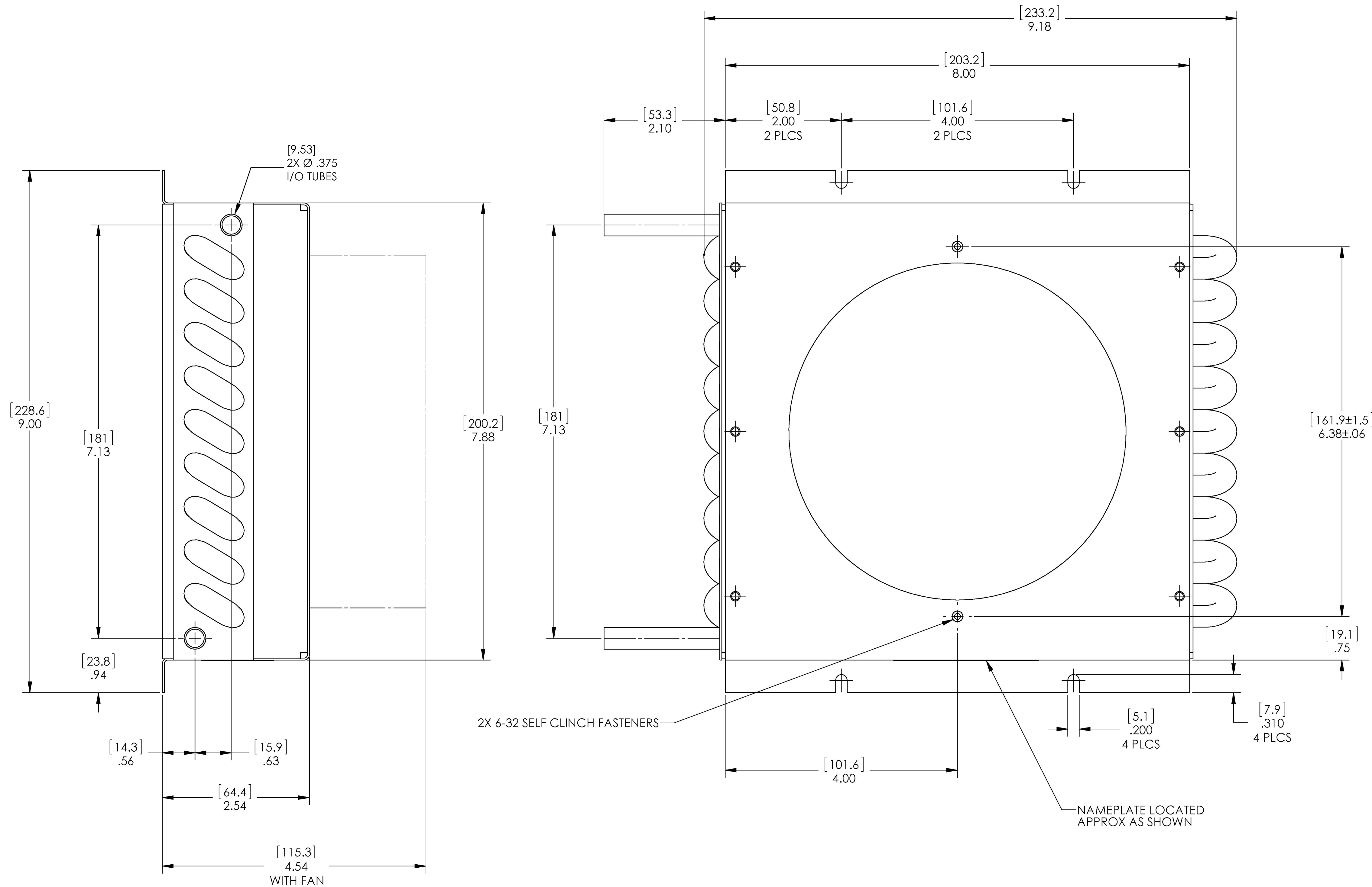


THIS DOCUMENT IS THE PROPERTY OF LYTRON, INC. AND REPRESENTS A PROPRIETARY ARTICLE ON WHICH LYTRON, INC. RETAINS ANY AND ALL PATENT AND OTHER RIGHTS, INCLUDING EXCLUSIVE RIGHTS OF USE AND/OR MANUFACTURE AND/OR SALE. POSSESSION OF THIS DOCUMENT DOES NOT CONVEY ANY PERMISSION TO REPRODUCE THE DOCUMENT OR MANUFACTURE THE ARTICLE OR ARTICLES SHOWN THEREIN.



2X 6-32 SELF CLINCH FASTENERS

NAMEPLATE LOCATED APPROX AS SHOWN

MATERIAL	
TUBING CIRCUIT & FRAMING	SS
OUTER FIN	COPPER
FITTINGS	SS

4210G10SB

- NOTES:
1. LEAK TEST - PNEUMATIC PRESSURE TEST AT 150 PSIG.
 2. DIMENSIONS IN [] ARE MILLIMETERS.

UNLESS OTHERWISE SPECIFIED		REDRN	DATE	LYTRON INCORPORATED			
ANGULAR DIMENSIONS ± 5°		DRN		WOBURN, MASSACHUSETTS			
SURFACE ROUGHNESS 125 (3.2 μm)		CHK'D		DRAWING TITLE			
BREAK EDGES 0.10 (2.5mm) MAX.		APPV'D		HEAT EXCHANGER ASSY			
REMOVE ALL BURRS		APPV'D					
TOLERANCE ON DECIMALS		DO NOT SCALE THIS DRAWING		SIZE	FSCM NO.	DRAWING NO.	REV
INCH ±.X ±.XX ±.XXX		MATERIAL		D	11245	S-4210G10SB	N
mm ±2.5 ±XX ±XXX		SEE TABLE		SCALE	1/1	WT.	SHEET 1 OF 2
THIRD ANGLE PROJECTION		FINISH					
DIMENSIONS AND TOLERANCING ARE PER ANSI STD Y14.5							