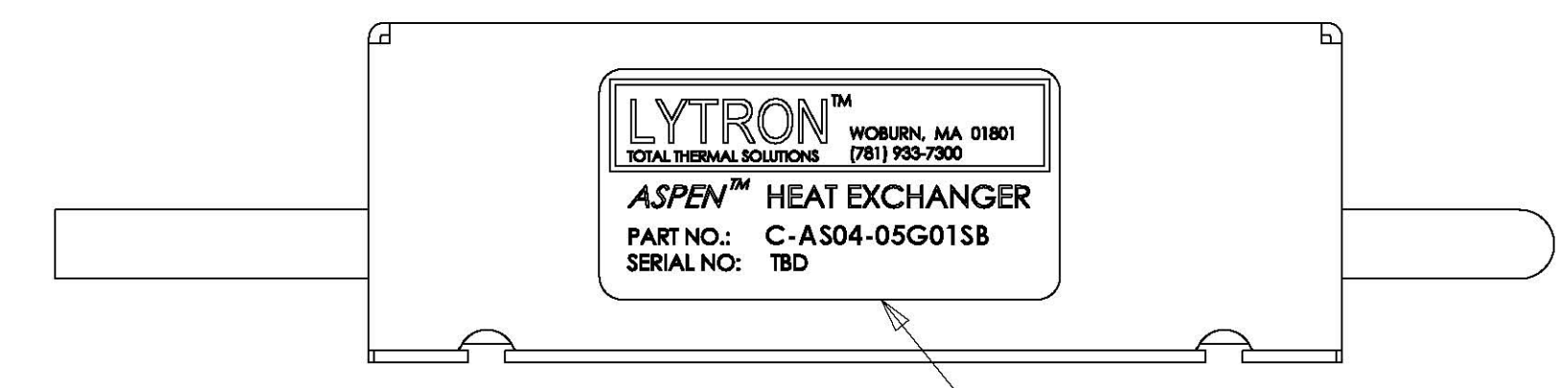
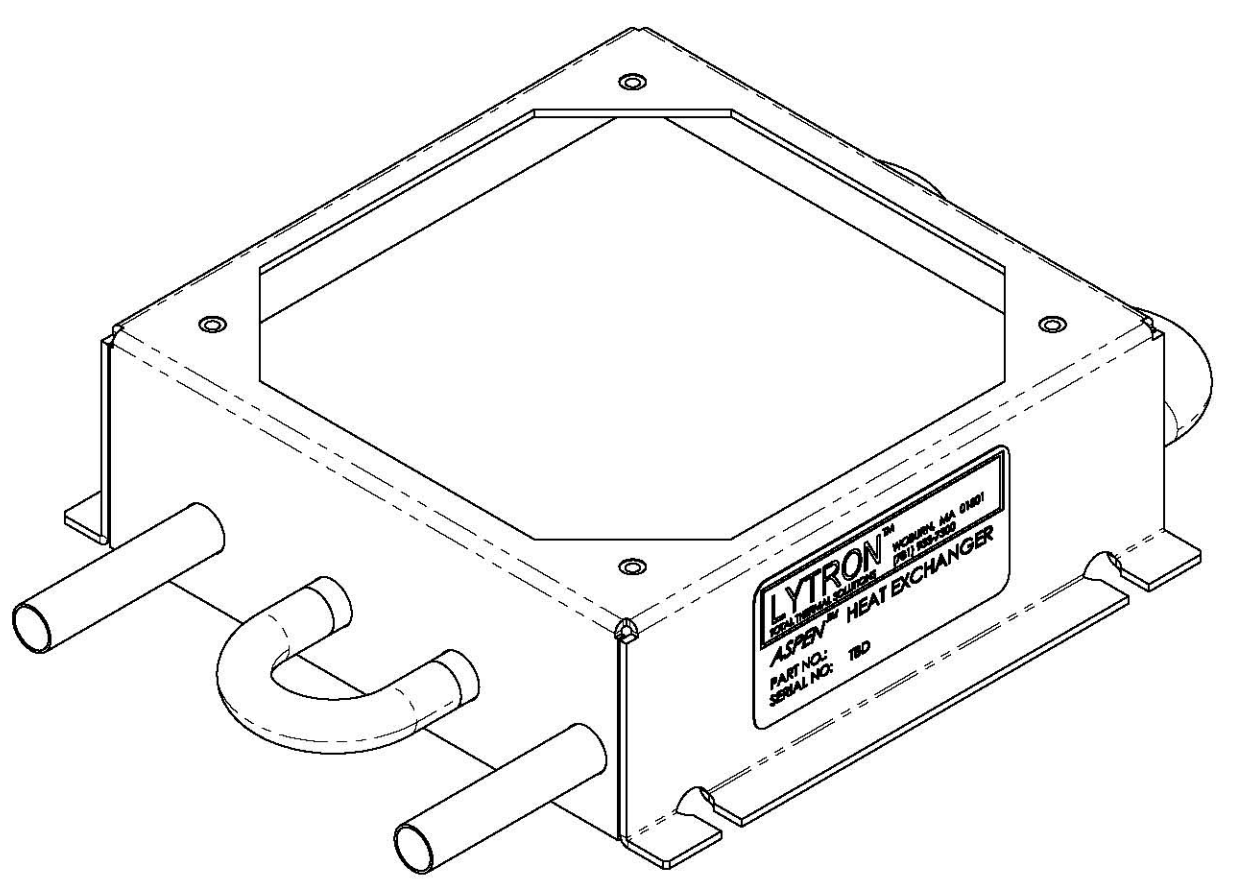
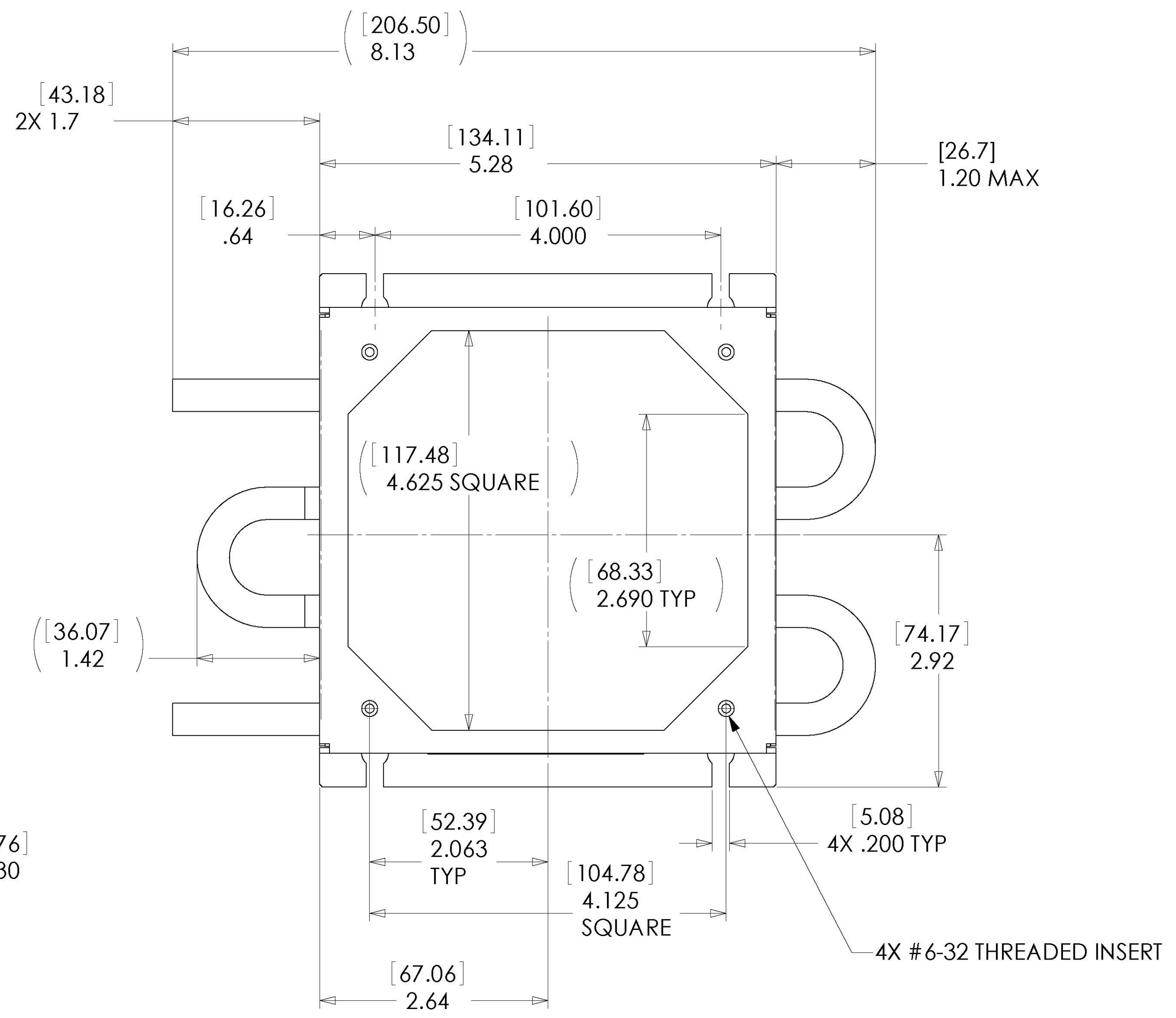
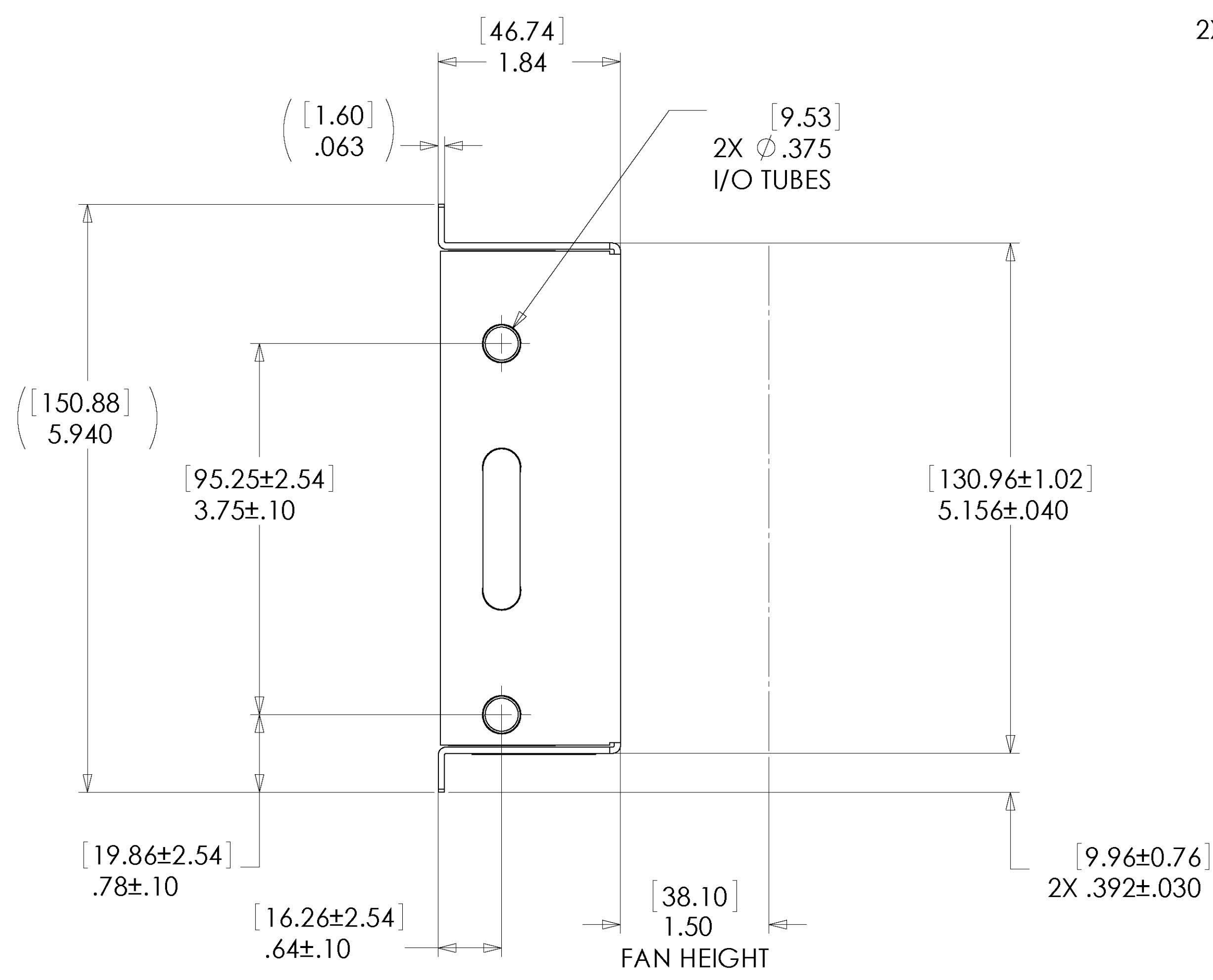


THIS DOCUMENT IS THE PROPERTY OF LYTRON, INC. AND REPRESENTS A PROPRIETARY ARTICLE ON WHICH LYTRON, INC. RETAINS ANY AND ALL PATENT AND OTHER RIGHTS, INCLUDING EXCLUSIVE RIGHTS OF USE AND/OR MANUFACTURE AND/OR SALE. POSSESSION OF THIS DOCUMENT DOES NOT CONVEY ANY PERMISSION TO REPRODUCE THE DOCUMENT OR MANUFACTURE THE ARTICLE OR ARTICLES SHOWN THEREIN.



MATERIAL	
FITTINGS	316SS
FIN	COPPER
FRAME	ALUMINUM

LYTRON NAMEPLATE MARKED WITH P/N AND SERIAL NO LOCATED APPROX AS SHOWN

AS04-05G01SB

- NOTES:
1. PRESSURE TEST TO 150 PSIG PER LYTRON PROCEDURE 4.9.9.
 2. DIMENSIONS IN [] ARE IN MILLIMETERS

UNLESS OTHERWISE SPECIFIED ANGULAR DIMENSIONS ± 5° SURFACE ROUGHNESS (3.2 μ) BREAK EDGES D1.0 (25mm) MAX. REMOVE ALL BURRS	DRAWN	DATE	LYTRON INCORPORATED			
	CHECKED		WOBURN, MASSACHUSETTS			
	APPROVED		DRAWING TITLE			
	APPROVED		HEAT EXCHANGER ASSY			
TOLERANCE ON DECIMALS INCH: .X ±.1, .XX ±.06, .XXX ±.015 MM: .X ±.1, .XX ±.06, .XXX ±.015	APPROVED		CORE CODE: A04-01-22-05.15			
THIRD ANGLE PROJECTION DIMENSIONS AND TOLERANCING ARE PER ANSI STD Y14.5	DO NOT SCALE THIS DRAWING MATERIAL: SEE TABLE FINISH: NONE	SIZE: D FSCM NO.: 11245 SCALE: 1/1	DRAWING NO.: S-AS04-05G01SB WT.:	REV: F SHEET: 1 OF 1		