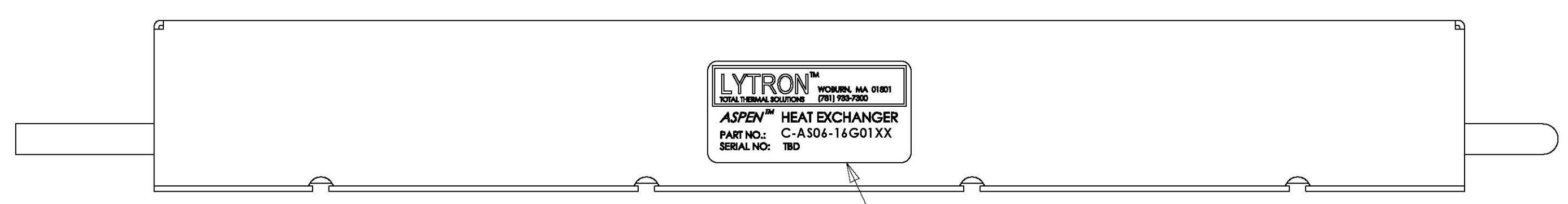
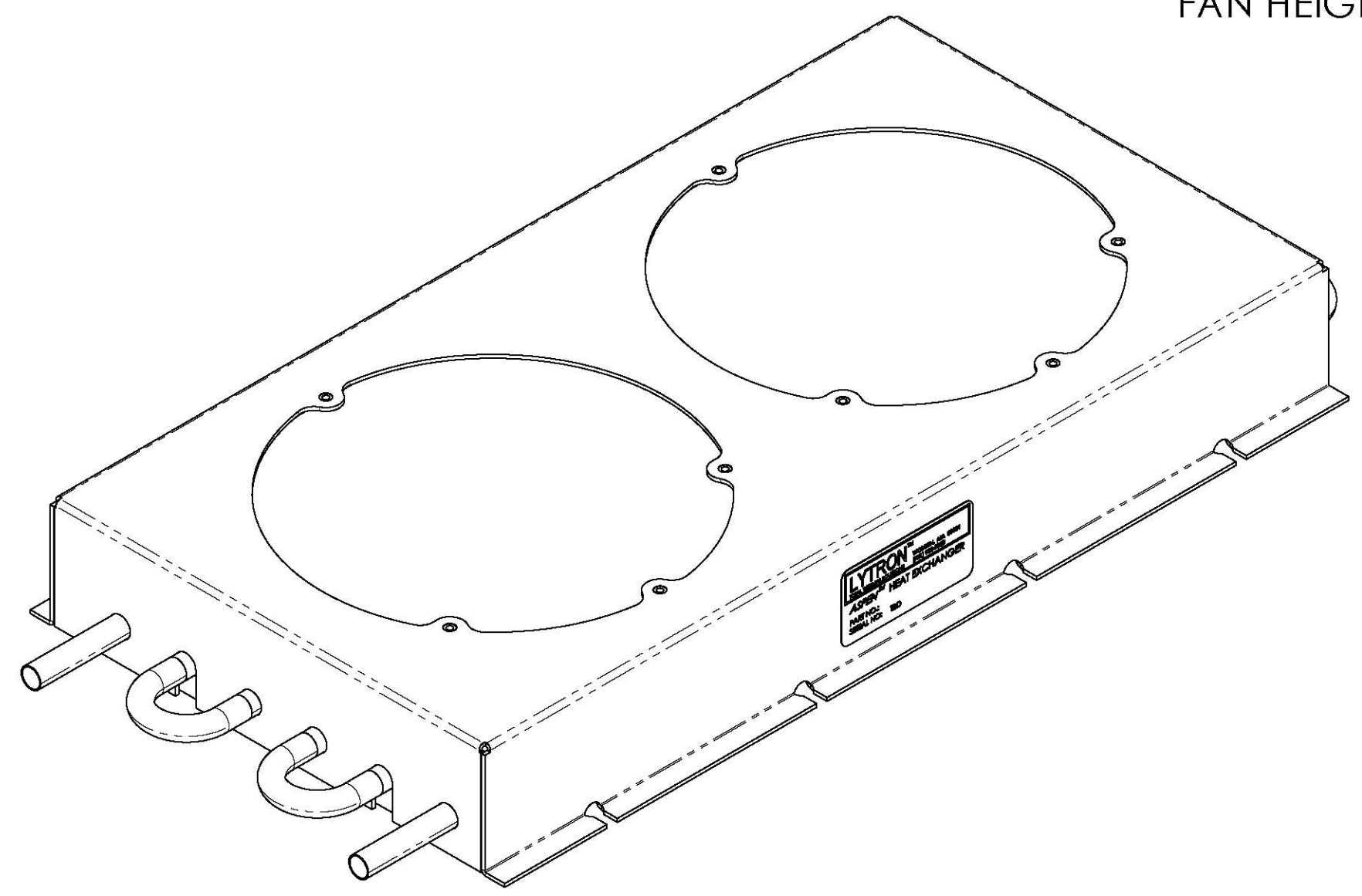
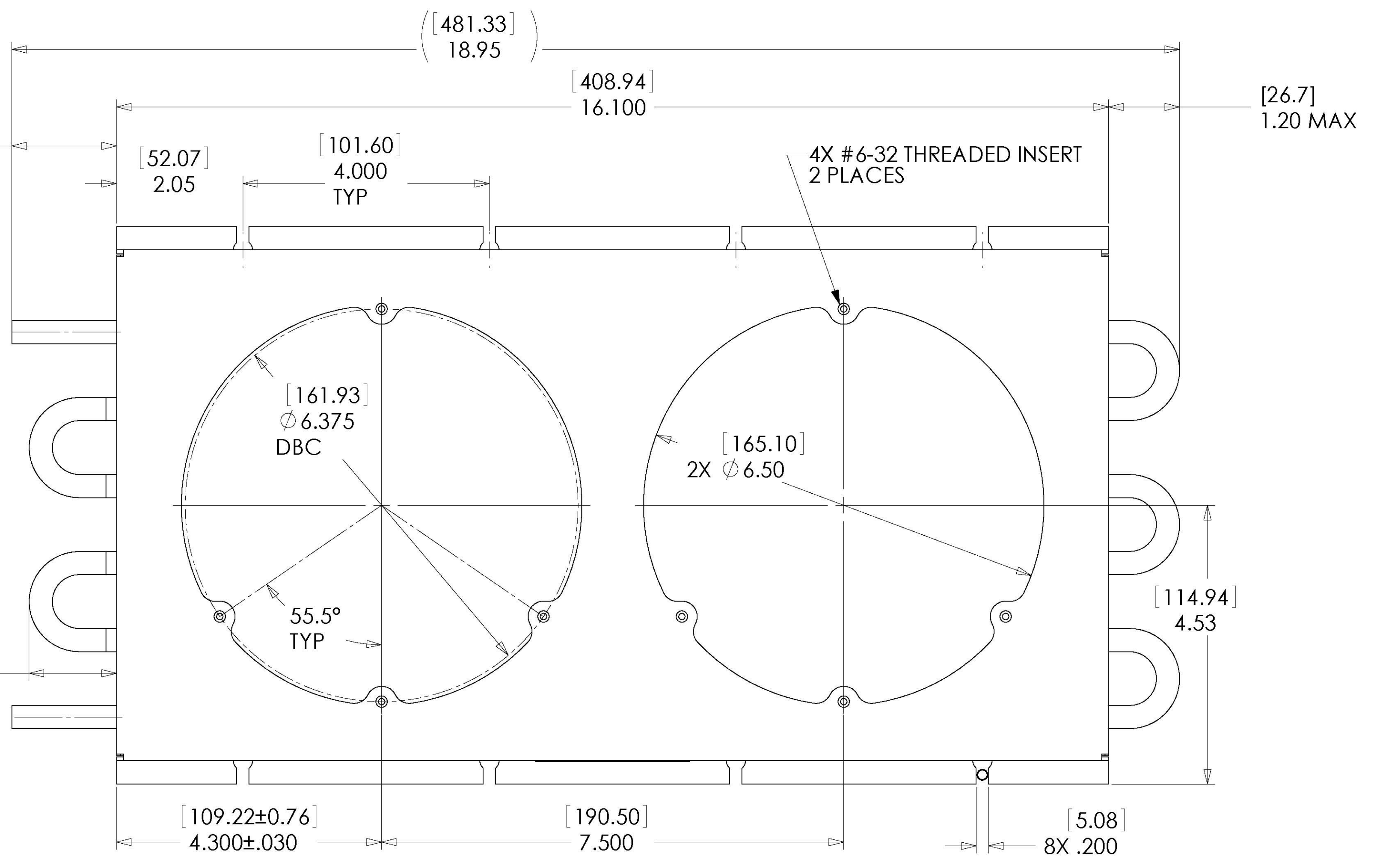
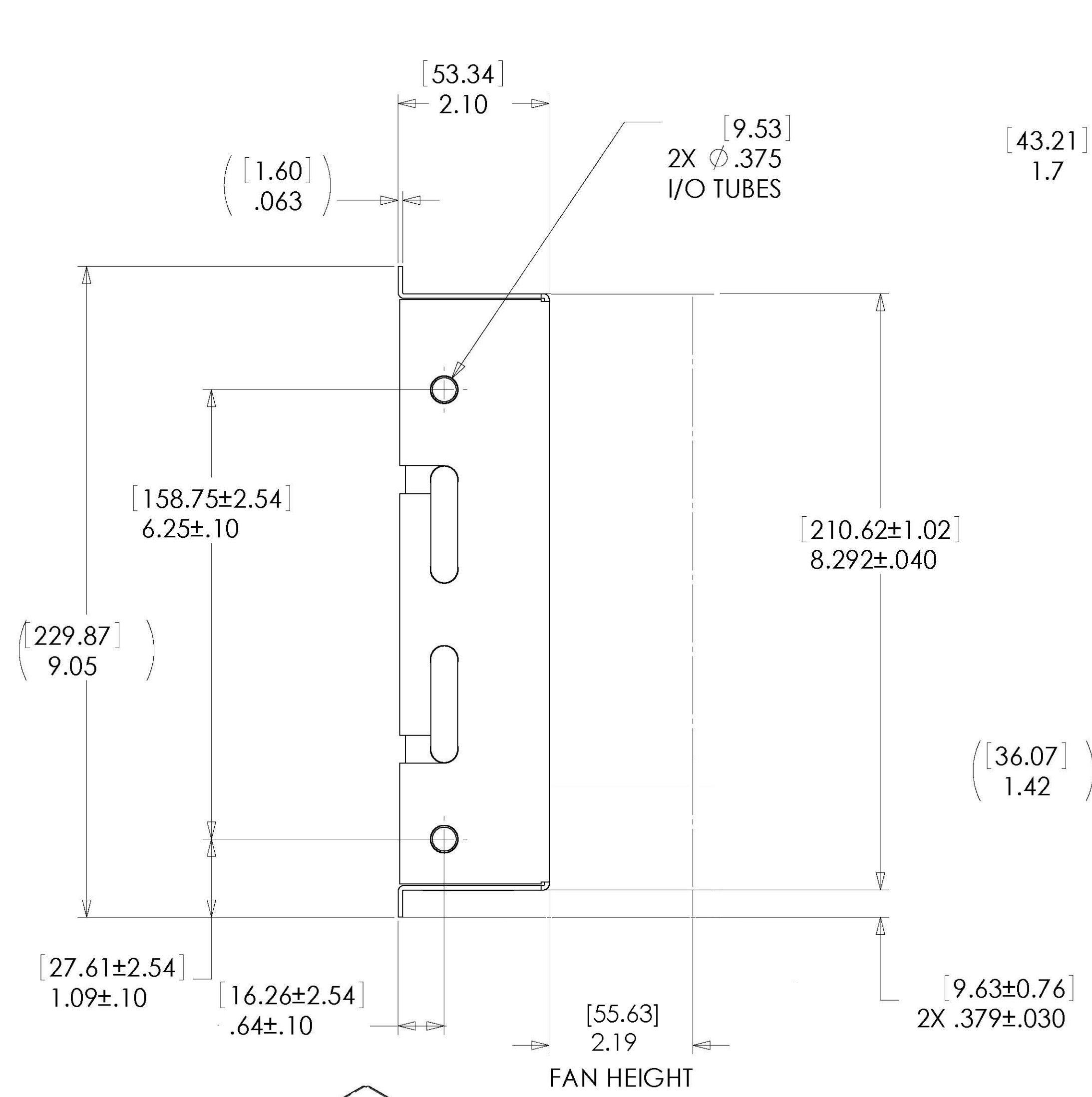


THIS DOCUMENT IS THE PROPERTY OF LYTRON, INC. AND REPRESENTS A PROPRIETARY ARTICLE ON WHICH LYTRON, INC. RETAINS ANY AND ALL PATENT AND OTHER RIGHTS, INCLUDING EXCLUSIVE RIGHTS OF USE AND/OR MANUFACTURE AND/OR SALE. POSSESSION OF THIS DOCUMENT DOES NOT CONVEY ANY PERMISSION TO REPRODUCE THE DOCUMENT OR MANUFACTURE THE ARTICLE OR ARTICLES SHOWN THEREIN.

D
C
B
A



LYTRON NAMEPLATE MARKED WITH P/N AND SERIAL NO LOCATED APPROX AS SHOWN

MATERIAL	
FITTINGS / TUBE	316SS
FIN	COPPER
FRAMES	ALUMINUM

AS06-16G01SB

- NOTES:
1. PRESSURE TEST TO 150 PSIG PER LYTRON PROCEDURE 4.9.9.
 2. DIMENSIONS IN [] ARE IN MILLIMETERS

UNLESS OTHERWISE SPECIFIED ANGULAR DIMENSIONS ± 5° SURFACE ROUGHNESS (3.2 μ) BREAK EDGES D1.0 (1.25mm) MAX. REMOVE ALL BURRS	DRAWN	DATE	LYTRON INCORPORATED WOBURN, MASSACHUSETTS			
	CHECKED		DRAWING TITLE			
	APPROVED		HEAT EXCHANGER ASSY CORE CODE: A06-01-22-15.98			
	TOLERANCE ON DECIMALS	APPROVED		SIZE	FSCM NO.	DRAWING NO.
INCH ±.1 mm ±.01	APPROVED		D	11245	S-AS06-16G01SB	E
THIRD ANGLE PROJECTION	MATERIAL	SEE TABLE	SCALE	3/4	WT.	SHEET 1 OF 1
DIMENSIONS AND TOLERANCING ARE PER ANSI STD Y14.5	FINISH	NONE				