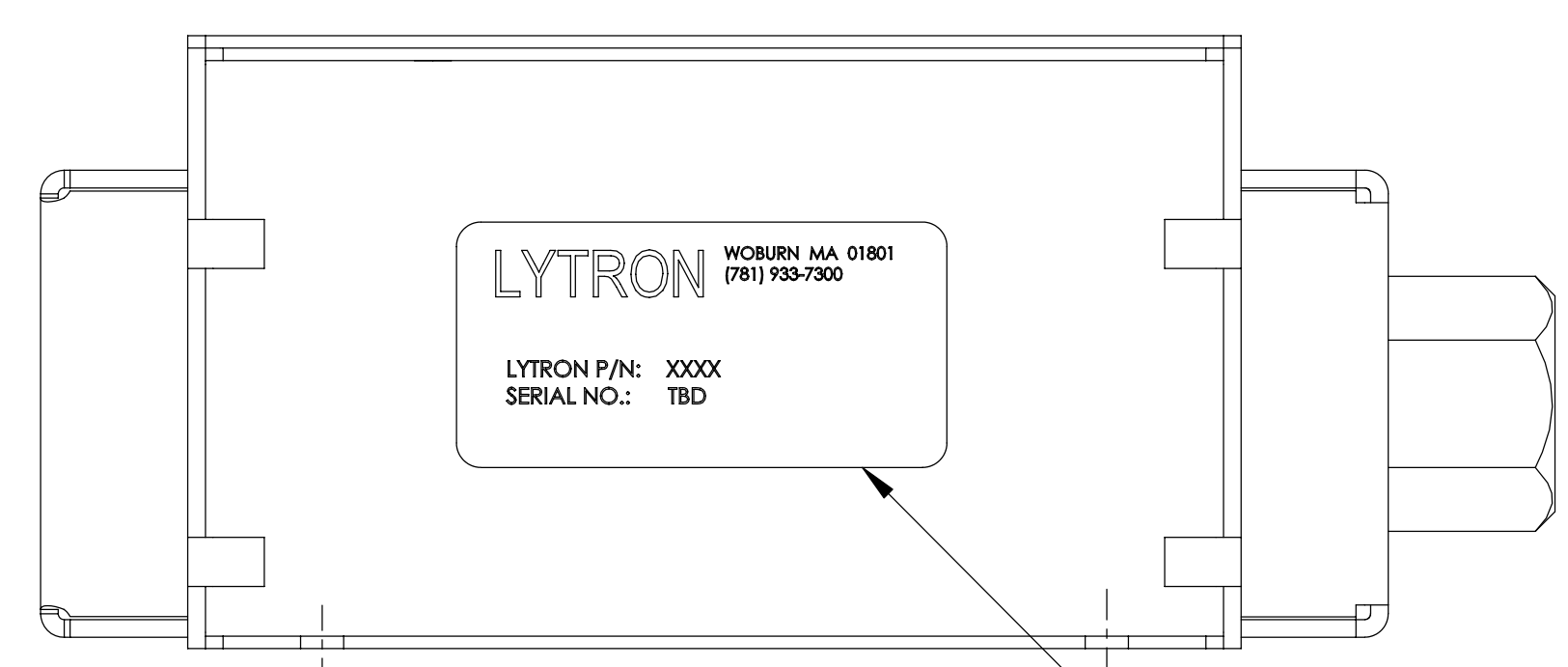
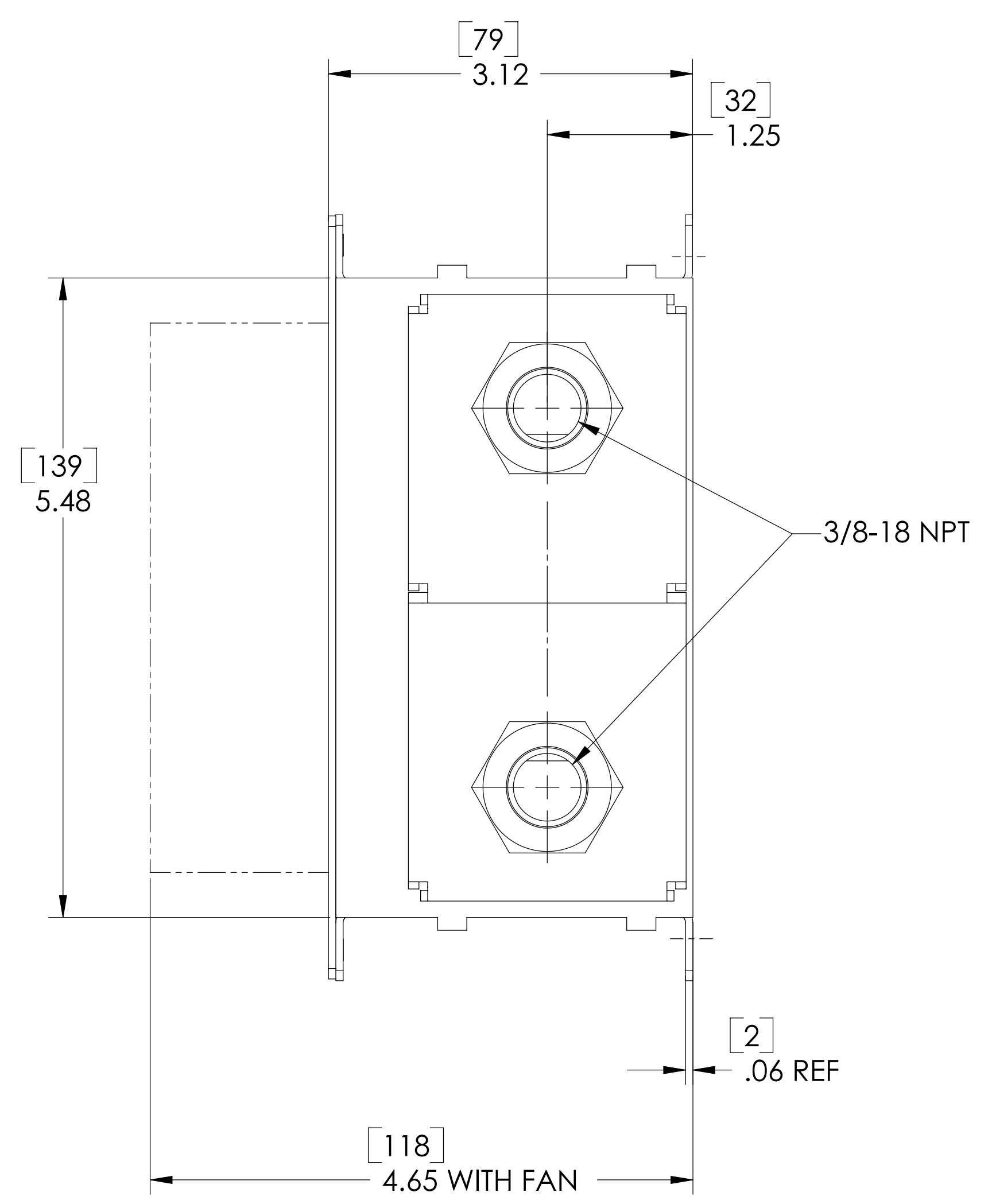
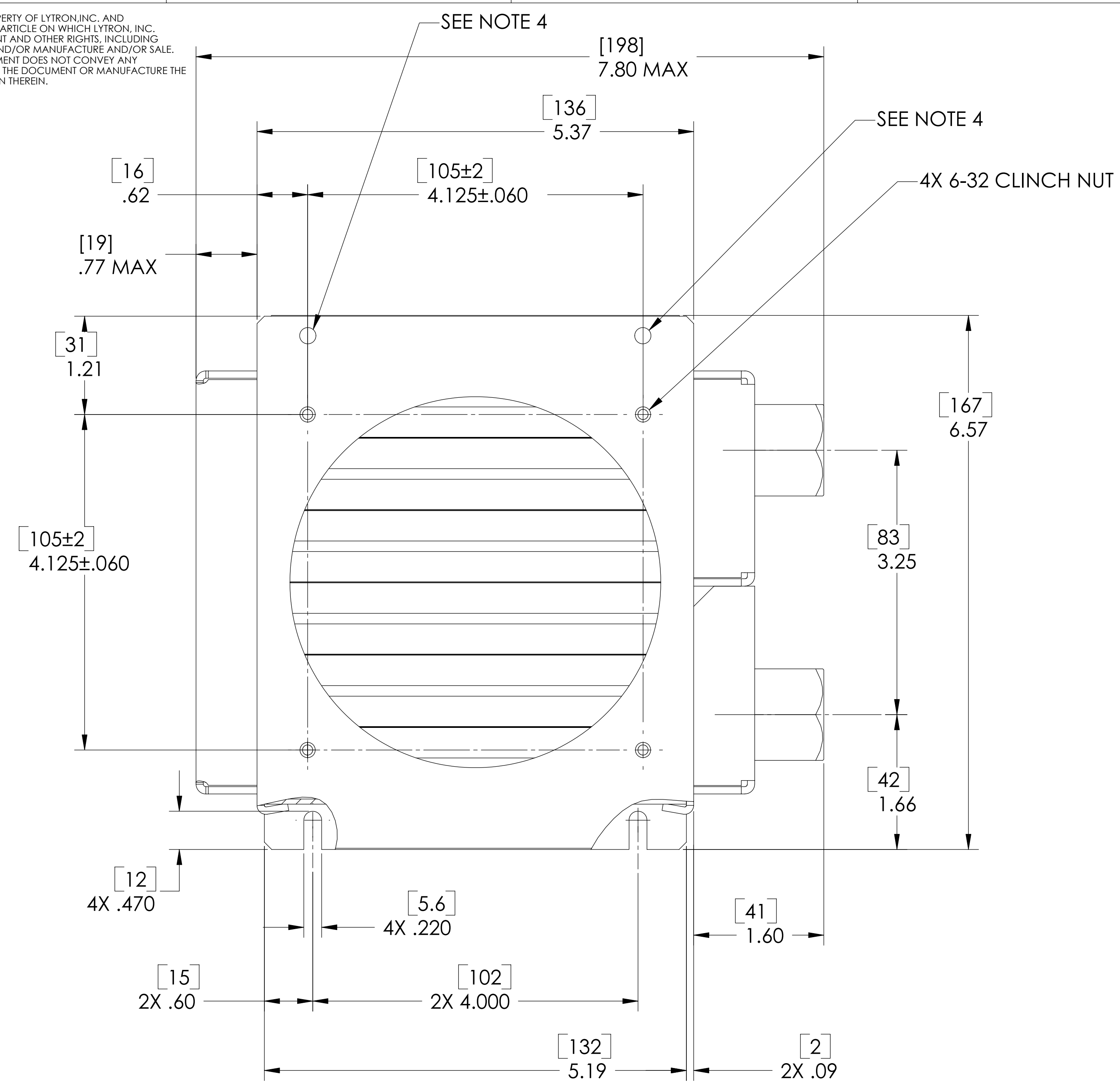


THIS DOCUMENT IS THE PROPERTY OF LYTRON, INC. AND REPRESENTS A PROPRIETARY ARTICLE ON WHICH LYTRON, INC. RETAINS ANY AND ALL PATENT AND OTHER RIGHTS, INCLUDING EXCLUSIVE RIGHTS OF USE AND/OR MANUFACTURE AND/OR SALE. PERMISSION TO REPRODUCE THIS DOCUMENT DOES NOT CONVEY ANY PERMISSION TO REPRODUCE THE DOCUMENT OR MANUFACTURE THE ARTICLE OR ARTICLES SHOWN THEREIN.

REVISIONS				SolidWorks		
ZONE	LTR	DESCRIPTION	DATE	DES	CHK	APPV
	A	ISSUED	07/23/02	JJS	APT	APT

8 7 6 5 4 3 2 1



NAMEPLATE LOCATED APPROX AS SHOWN

NOTES:

- PRESSURE TEST AT 150 PSIG.
- DIMENSIONS IN [ ] ARE IN MILLIMETERS.
- HEAT EXCHANGER MAY BE PURCHASED WITH FAN (SOLD SEPARATELY):  
P/N 102076 (115 VAC) OR  
P/N 102076-01 (230 VAC)
- HALF-PERFS ARE FOR ALIGNMENT AT THE MANUFACTURING LEVEL.

APPLICATION		LIST OF MATERIALS OR PARTS LIST				DRAWING TITLE	
FINAL	FINAL	UNLESS OTHERWISE SPECIFIED	DRN	J. SEARS	DATE	05-23-02	<b>LYTRON</b> Total Thermal Solutions Lytron Inc. 55 Dragon Ct. Woburn Ma. 01801
NEXT ASSY	USED ON	ANGULAR DIMENSIONS ARE ± 1°	CHK'D				
		SURFACE ROUGHNESS 125 (3.2μ)	APPV'D				
		BREAK EDGES .010 MAX. REMOVE ALL BURRS	APPV'D				
		TOLERANCE ON DECIMALS	APPV'D				HEAT EXCHANGER ASSY
		INCH ±.X ±.XX ±.XXX (mm) ±2.5 ±.XX ±.XXX	DO NOT SCALE THIS DRAWING				
		THIRD ANGLE PROJECTION	MATL	ALUMINUM	SIZE	D	FSCM NO.
		DIMENSIONS AND TOLERANCING ARE PER ANSI STD Y14.5	FINISH	NONE	DRAWING NO.	C-ES0505G23	REV
					SCALE	1/1	WT.
							SHEET 1 OF 1

8 7 6 5 4 3 2 1