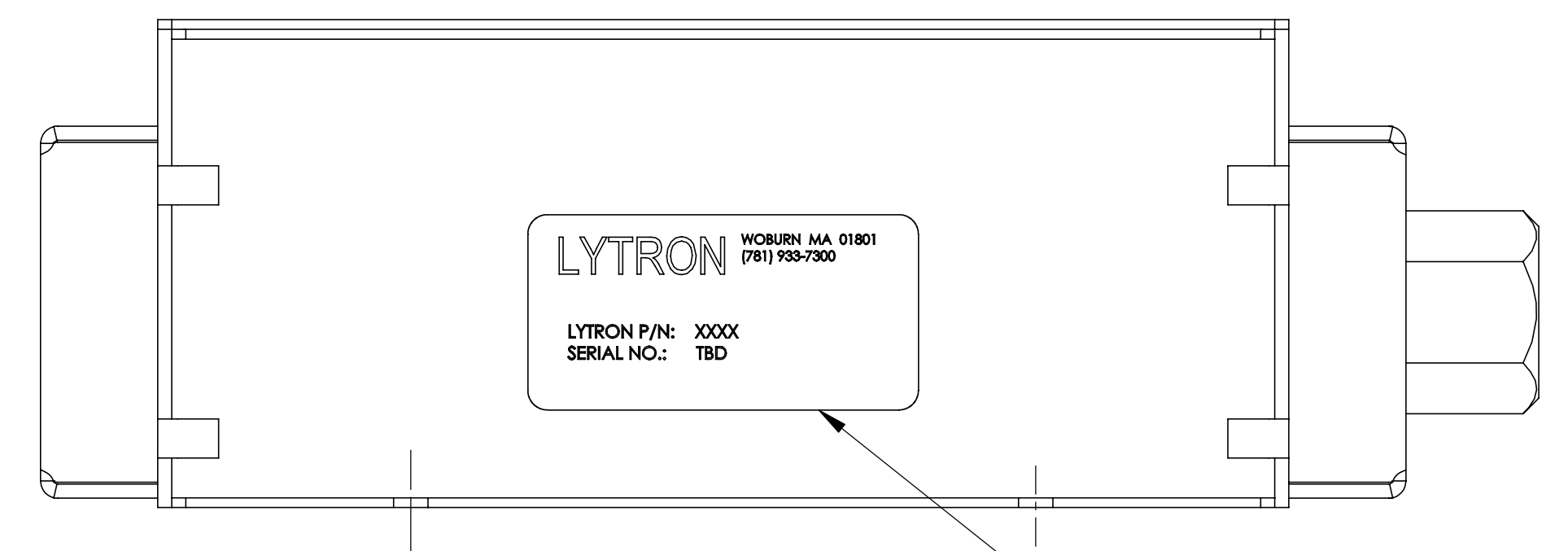
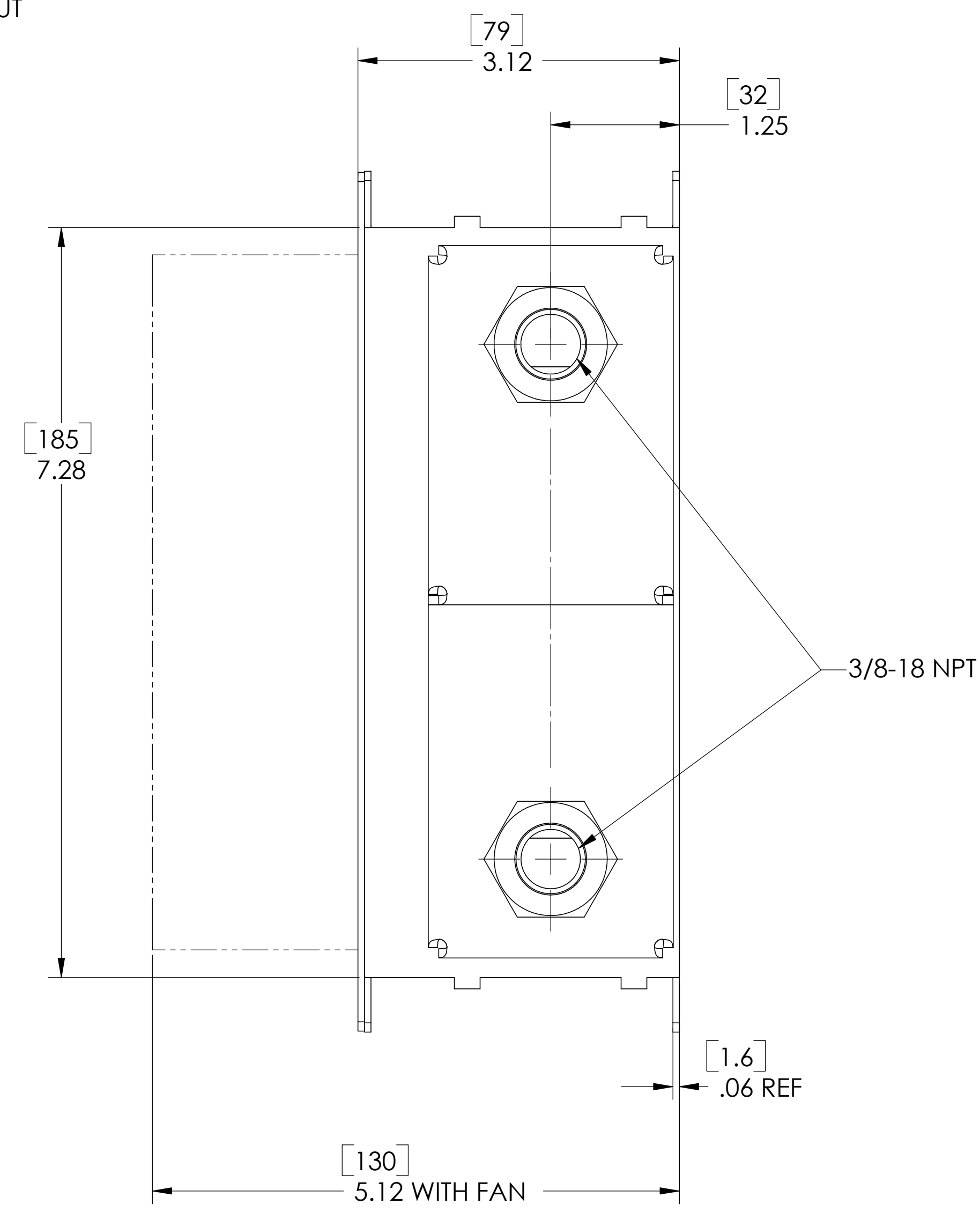
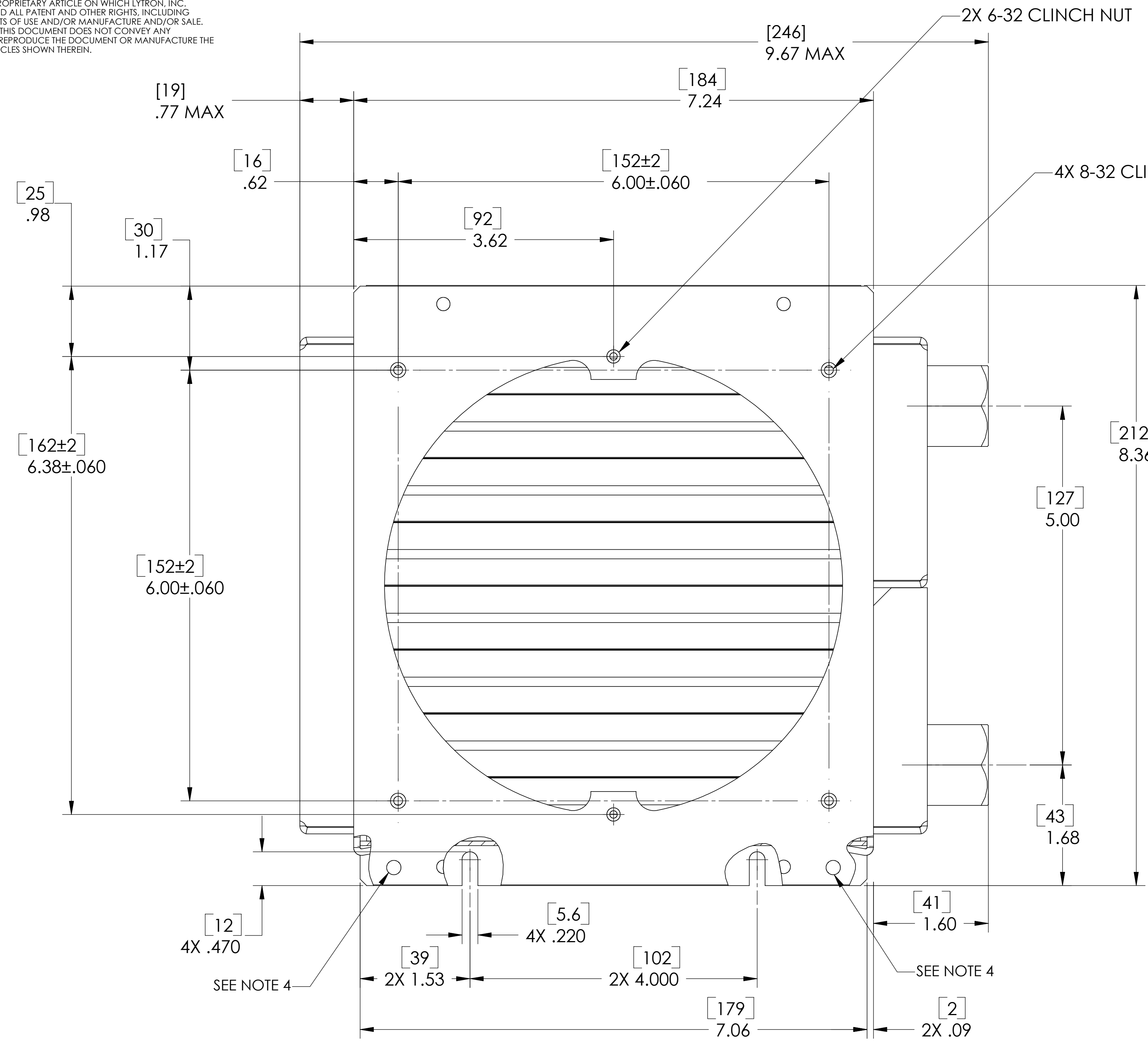


THIS DOCUMENT IS THE PROPERTY OF LYTRON, INC. AND REPRESENTS A PROPRIETARY ARTICLE ON WHICH LYTRON, INC. RETAINS ANY AND ALL PATENT AND OTHER RIGHTS, INCLUDING EXCLUSIVE RIGHTS OF USE AND/OR MANUFACTURE AND/OR SALE. POSSESSION OF THIS DOCUMENT DOES NOT CONVEY ANY PERMISSION TO REPRODUCE THE DOCUMENT OR MANUFACTURE THE ARTICLE OR ARTICLES SHOWN THEREIN.

REVISIONS				SolidWorks		
ZONE	LTR	DESCRIPTION	DATE	DES	CHK	APP
	A	ISSUED	5-22-02	JJS	APT	APT



- NOTES:
- PRESSURE TEST AT 150 PSIG.
 - DIMENSIONS IN [] ARE IN MILLIMETERS.
 - HEAT EXCHANGER MAY BE PURCHASED WITH FAN (SOLD SEPARATELY):
P/N 101116-01 (115 VAC) OR
P/N 101116-02 (230 VAC)
 - HALF-PERFS ARE FOR ALIGNMENT AT THE MANUFACTURING LEVEL.

NAMEPLATE LOCATED APPROX AS SHOWN

APPLICATION		LIST OF MATERIALS OR PARTS LIST		DRAWING TITLE	
FINAL	USED ON	DRN	J. SEARS	DATE	5-22-02
NEXT ASSY		CHK'D	A. THOMAS	DATE	8-02-02
		APP'VD	A. THOMAS	DATE	8-02-02
		APP'VD			
		DO NOT SCALE THIS DRAWING			
		MATL	ALUMINUM	SIZE	D 11245
		FINISH	NONE	FSCM NO.	C-ES0707G23
				DRAWING NO.	
				REV	A
				SCALE	1/1
				WT.	
				SHEET	1 OF 1

UNLESS OTHERWISE SPECIFIED
 ANGULAR DIMENSIONS ARE ± 1°
 SURFACE ROUGHNESS 125 (3.2µ)
 BREAK EDGES .010 MAX.
 REMOVE ALL BURRS
 TOLERANCE ON DECIMALS
 INCH = .X .XX .XXX
 (mm) = 2.5 ± .10 ± .010
 .XXX ± .XX ±

THIRD ANGLE PROJECTION
 DIMENSIONS AND TOLERANCING ARE PER ANSI STD Y14.5

LYTRON
 Total Thermal Solutions
 Lytron Inc.
 55 Dragon Ct.
 Woburn Ma. 01801

DRAWING TITLE
HEAT EXCHANGER ASSY

SCALE 1/1
 WT.
 SHEET 1 OF 1