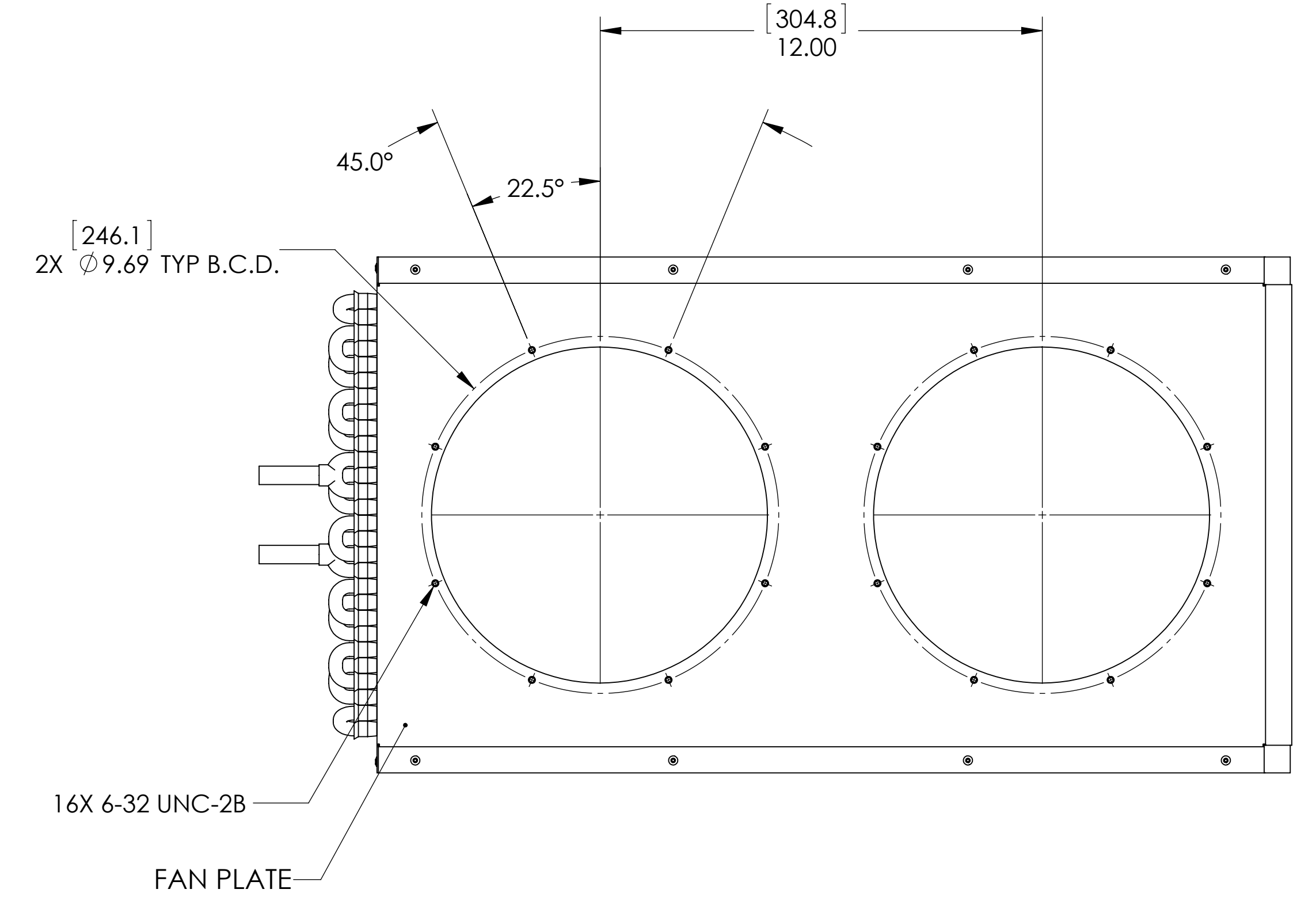
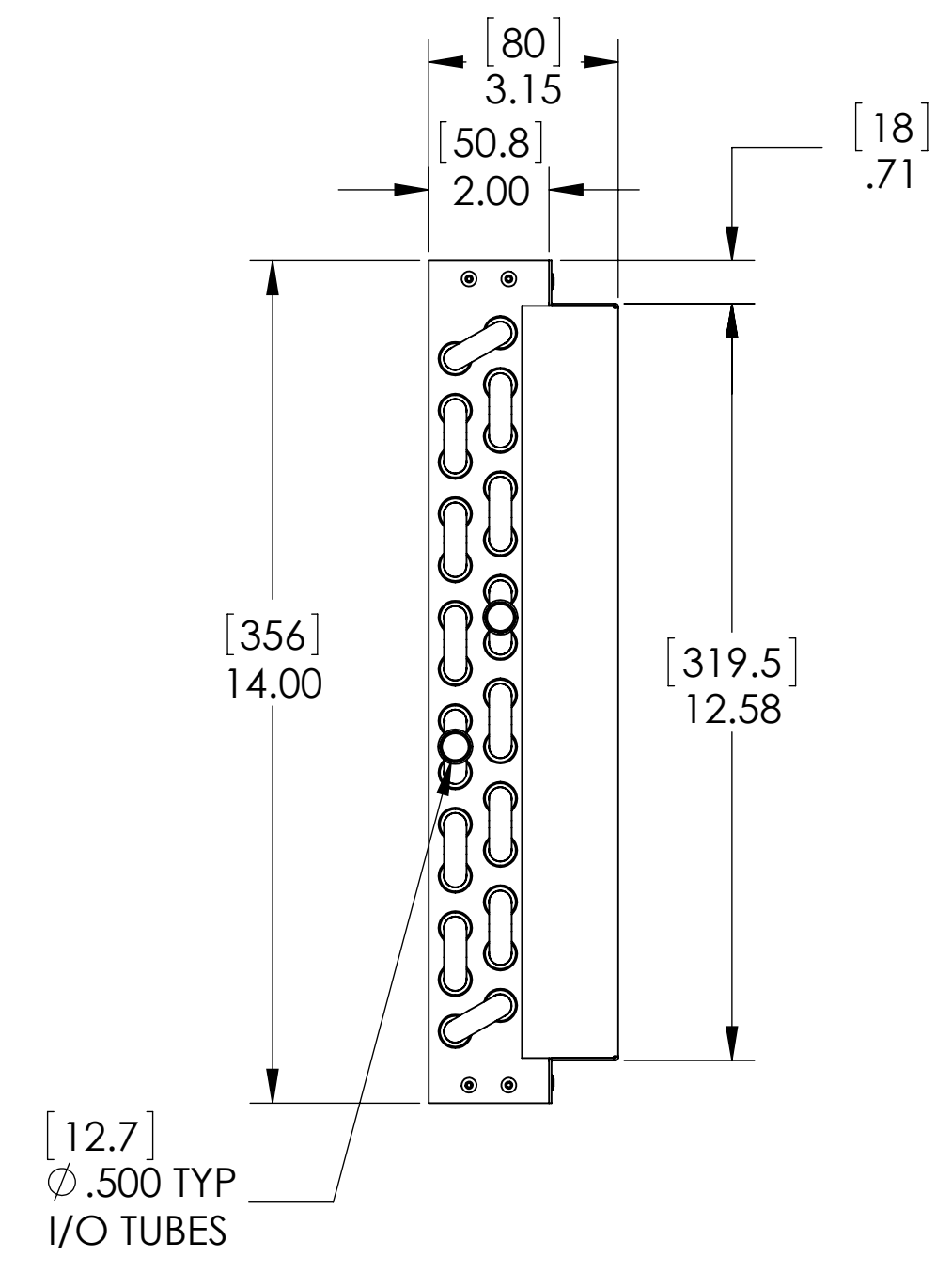
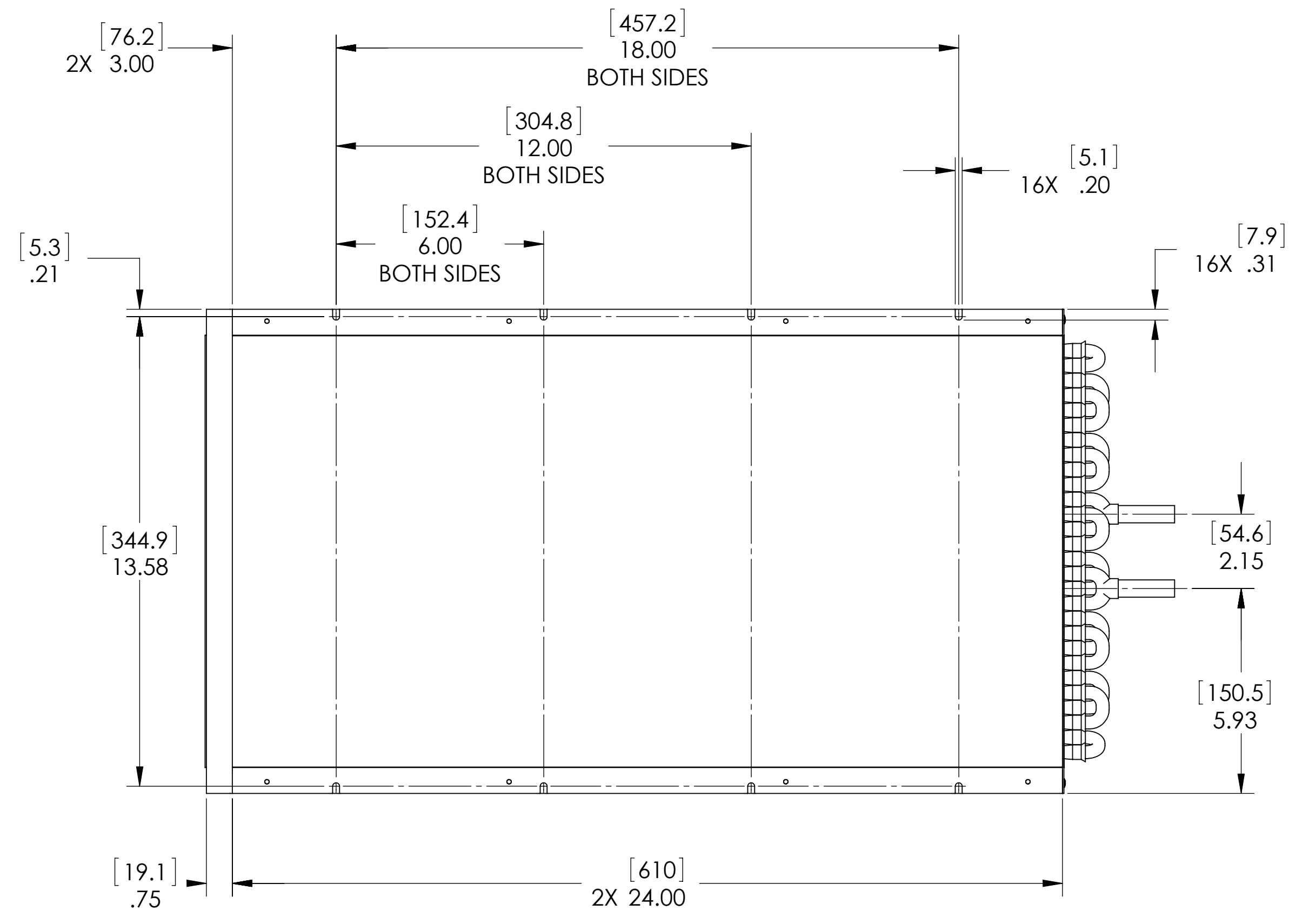
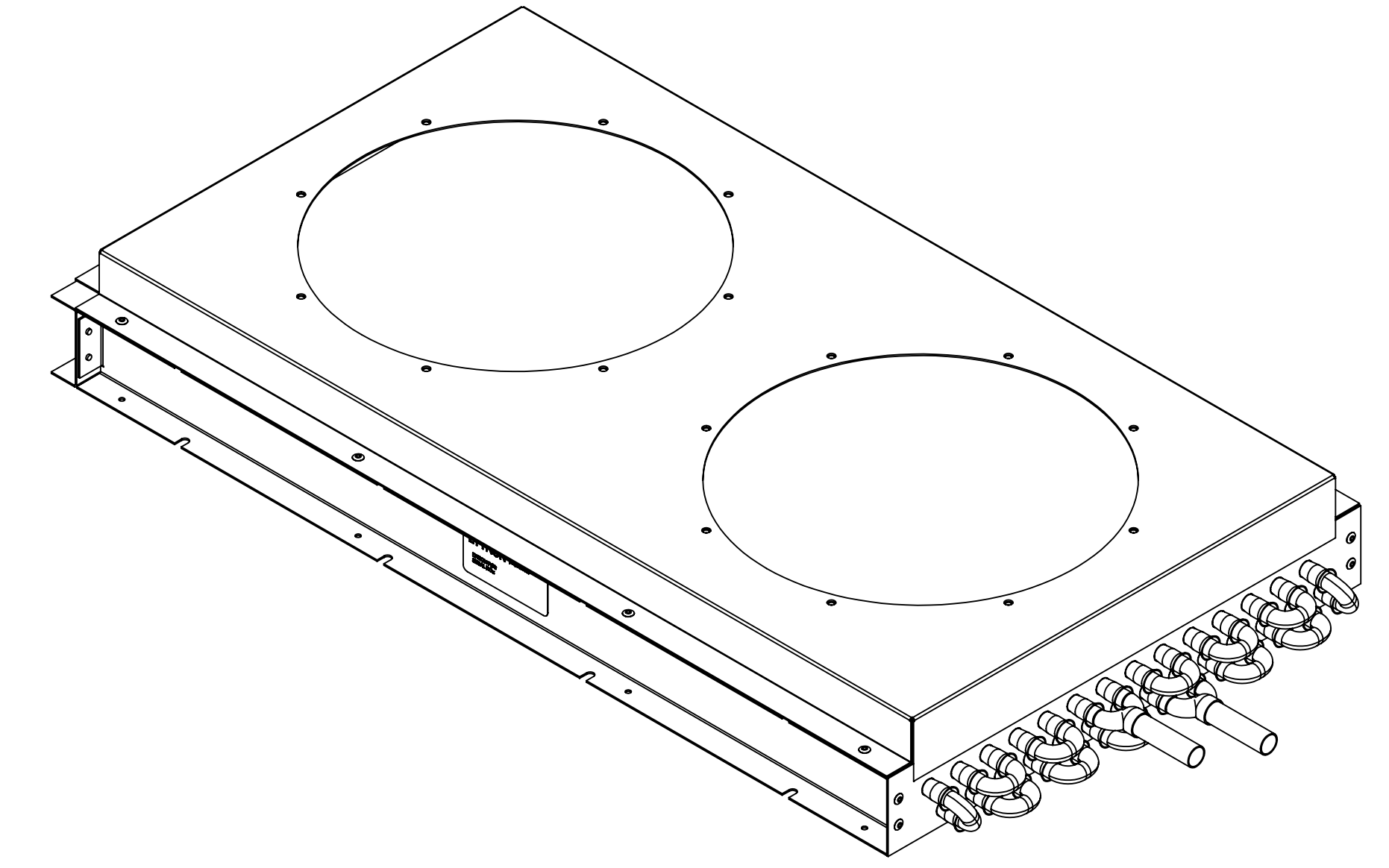
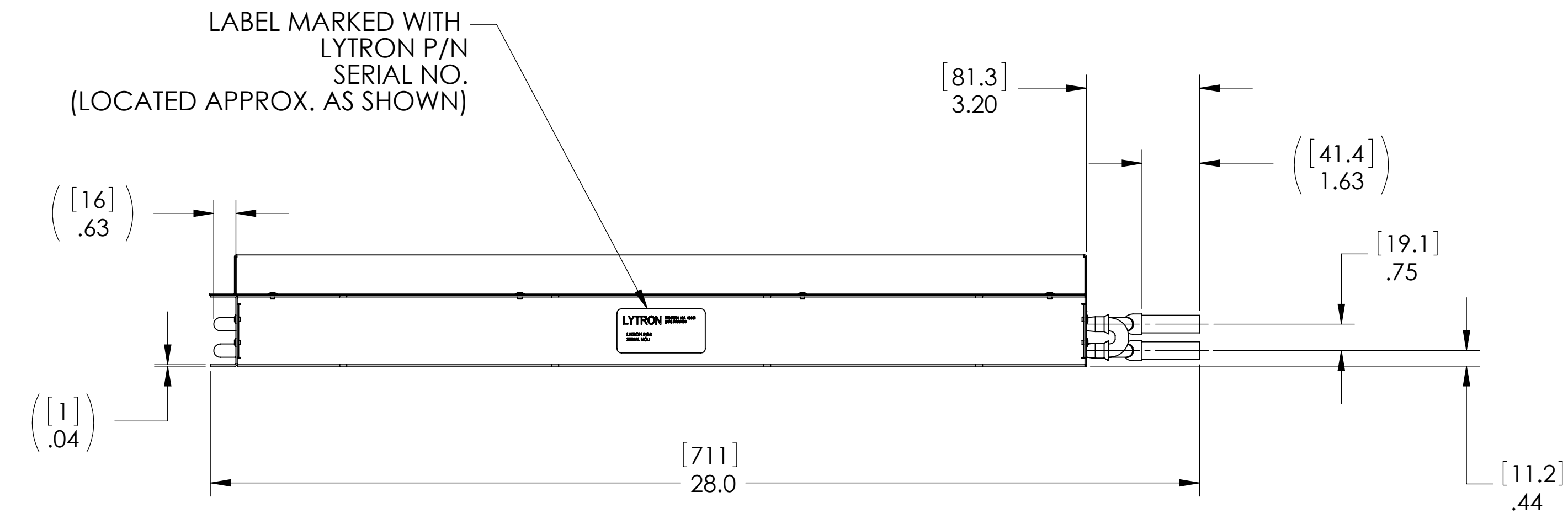


THIS DOCUMENT IS THE PROPERTY OF LYTRON, INC. AND REPRESENTS A PROPRIETARY ARTICLE ON WHICH LYTRON, INC. RETAINS ANY AND ALL PATENT AND OTHER RIGHTS, INCLUDING EXCLUSIVE RIGHTS OF USE AND/OR MANUFACTURE AND/OR SALE. POSSESSION OF THIS DOCUMENT DOES NOT CONVEY ANY PERMISSION TO REPRODUCE THE DOCUMENT OR MANUFACTURE THE ARTICLE OR ARTICLES SHOWN THEREIN.



M14-240SB1

- NOTES:
1. PRESSURE TEST ASSEMBLY AT 150 PSIG.
 2. DIMENSIONS IN [] ARE IN MILLIMETERS.

MATERIAL	
TUBING	COPPER
OUTER FIN	ALUMINUM
FITTINGS	COPPER
FRAME	GALVANIZED STEEL

UNLESS OTHERWISE SPECIFIED		REDRAWN	DATE	LYTRON INCORPORATED WOBRURN, MASSACHUSETTS				
ANGULAR DIMENSIONS ± 5° SURFACE ROUGHNESS (3.2 μm) BREAK EDGES .010 (25mm) MAX. REMOVE ALL BURRS		DRAWN		DRAWING TITLE				
TOLERANCE ON DECIMALS		APPROVED		HEAT EXCHANGER ASSY				
INCH .X ±.1 .XX ±.06 .XXX ±.020 mm ±2.0 ±.1 ±.05		APPROVED		DO NOT SCALE THIS DRAWING	SIZE	FSCM NO.	DRAWING NO.	REV
THIRD ANGLE PROJECTION		MATERIAL	SEE CHART		D	11245	S-M14-240SB1	H
DIMENSIONS AND TOLERANCING ARE PER ANSI STD Y14.5		FINISH	NONE	SCALE	1/2	WT.		SHEET 1 OF 2