

1

2

3

4

5

6

RevNo	Revision note	Date	Signature	Checked
-------	---------------	------	-----------	---------

A

B

C

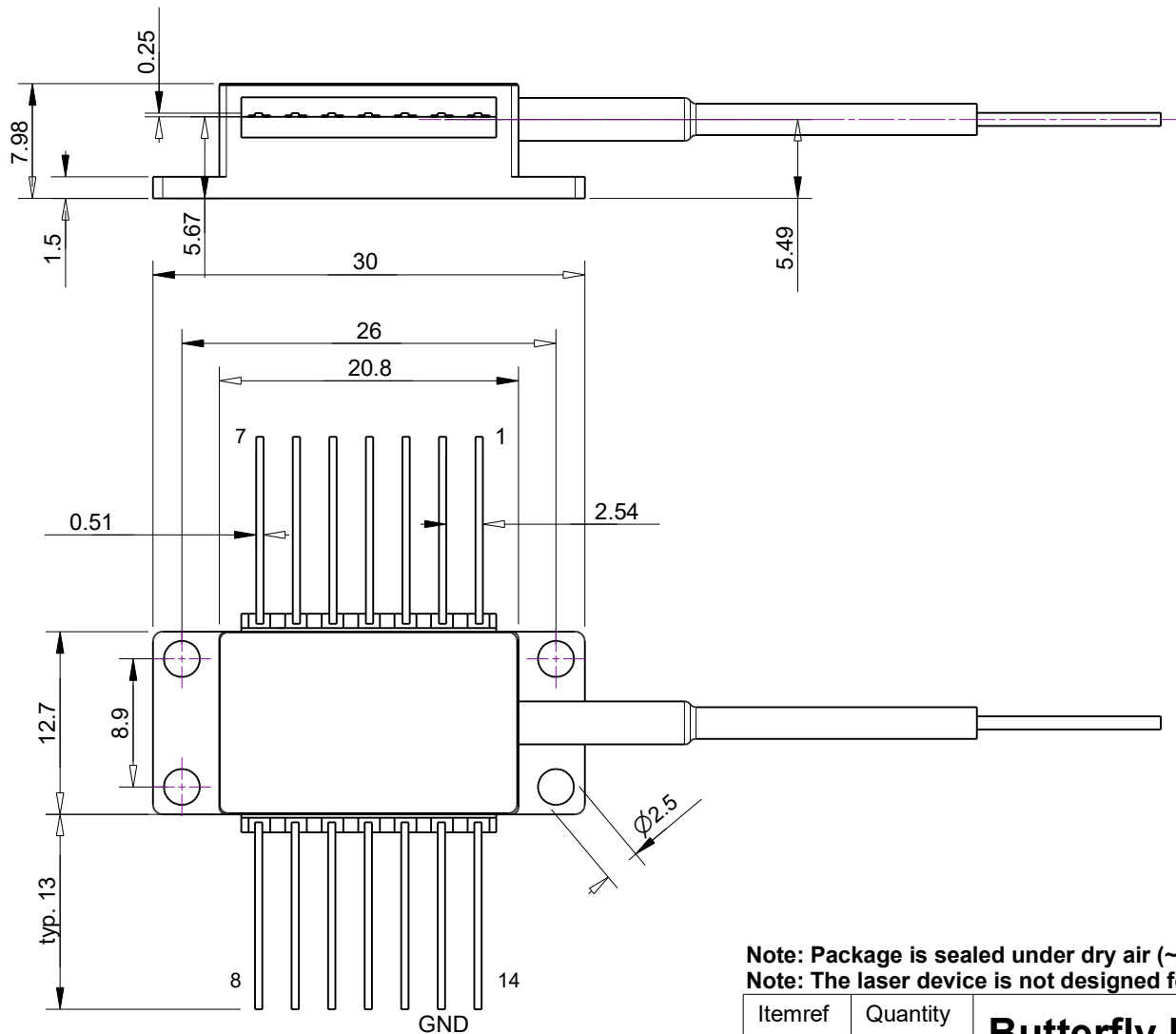
D

A

B

C


D



Pin Assignment

- | | |
|------------------|---------------------|
| 1: TEC anode (+) | 14: TEC cathode (-) |
| 2: thermistor | 13: case |
| 3: N/C | 12: N/C |
| 4: N/C | 11: N/C |
| 5: thermistor | 10: LD anode (+) |
| 6: N/C | 9: LD cathode (-) |
| 7: N/C | 8: N/C |

Note: Package is sealed under dry air (~10 % O2) OR dry nitrogen atmosphere.
Note: The laser device is not designed for any reverse operation

Itemref	Quantity	Butterfly BF2 SM			Article No./Reference	
Drawn by M. Legge	Date 04.04.2012	Approved by - date	Material	File name	Scale 2:1	
Nanosystems and Technologies GmbH 		nanoplus Nanosystem and Technologies GmbH Oberer Kirschberg 4, 97218 Gerbrunn, Germany <small>© copyright nanoplus GmbH 2012, all rights reserved. nanoplus GmbH reserves the right to modify these specifications at any time without notice and is not liable for errors.</small>		Drawing No. 1	Edition	
				All dimensions are in mm		Sheet 1

1

2

3

6