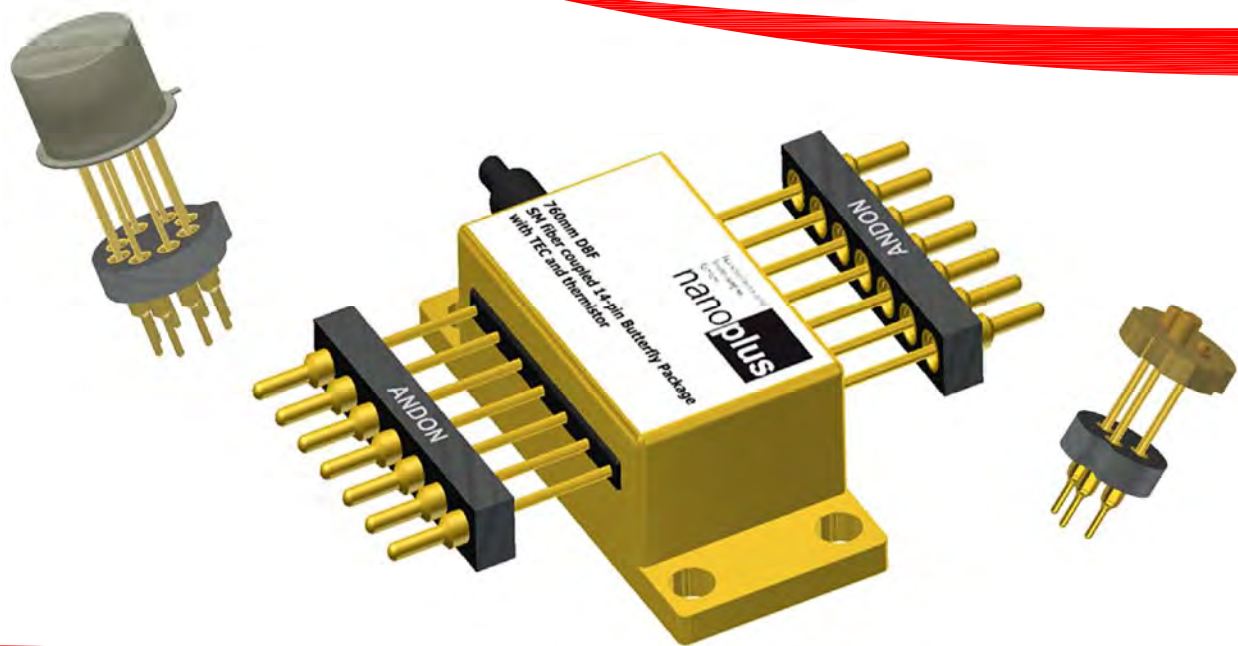


## HIGH RELIABILITY OPTOELECTRONIC SOCKETS FOR NANO PLUS

Nanosystems and  
Technologies  
GmbH

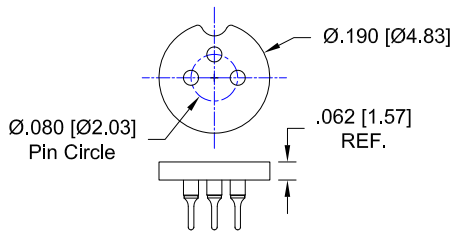
**nanoplus**



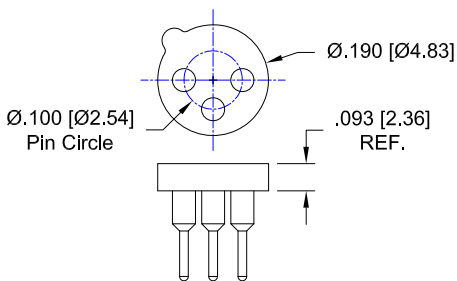
**Featuring Andon's Unique Senstac<sup>TM</sup> Contact**

NANOPLUS GmbH SOCKETS						
Nanoplus GmbH Sockets Model Number	Andon Part Number Replace "XXX" with Terminal Type	Terminal Type		Pin Ø [in]	Figure Number	Page Number
		Thru-Hole	Surface Mount			
TO5	R200-0808-01T-XXX-R27-L14	75S	265S	.018	4	1
TO5.6	R080-0403-01N-XXX-R27-L14	274K	281K	.018	1	1
TO66	F325-1009-04-XXX-R27-L14	295V	439V	.030	2	1
TO 8mm	R375-SP06-02T-XXX-R27-L14	75S	265S	.018	5	1
TO 9mm	R100-0403-01T-XXX-R27-L14	75S	265S	.018	3	1
14 Pin-Butterfly	(2) 405-0707-01-XXX-R27-L14	01S	93S	.018	6	1

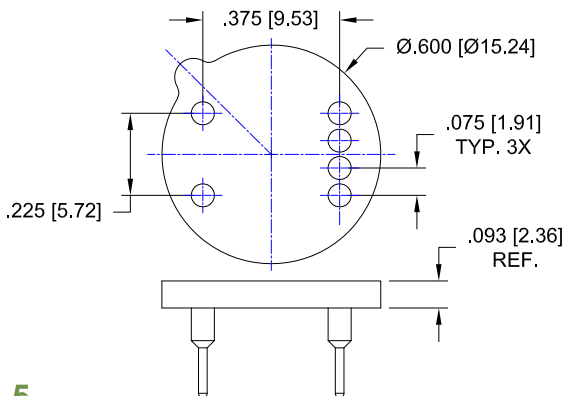
**Top View Shown**  
Units: in [mm]



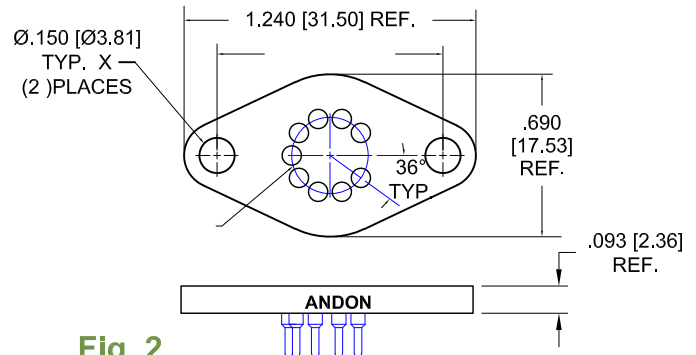
**Fig. 1**  
Thru-Hole: R080-0403-01N-274K-R27-L14  
Surface Mount: R080-0403-01N-281K-R27-L14



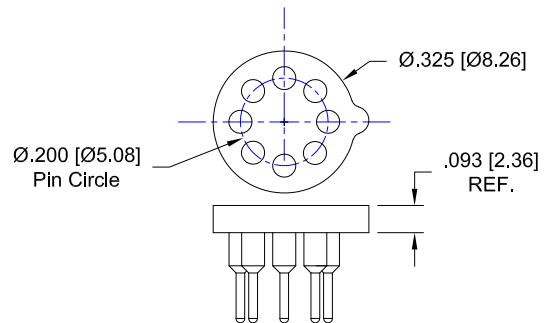
**Fig. 3**  
Thru-Hole: R100-0403-01T-75S-R27-L14  
Surface Mount: R100-0403-01T-265S-R27-L14



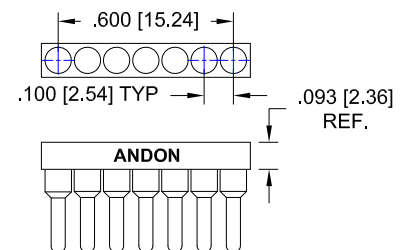
**Fig. 5**  
Thru-Hole: R375-SP06-02T-75S-R27-L14  
Surface Mount: R375-SP06-02T-265S-R27-L14



**Fig. 2**  
Thru-Hole: F325-1009-04-295V-R27-L14  
Surface Mount: F325-1009-04-439V-R27-L14



**Fig. 4**  
Thru-Hole: R200-0808-01T-75S-R27-L14  
Surface Mount: R200-0808-01T-265S-R27-L14



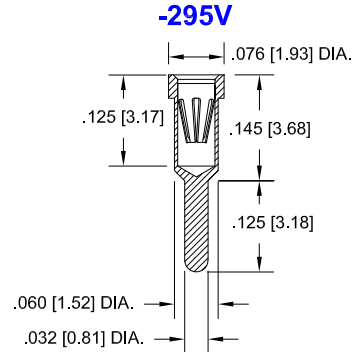
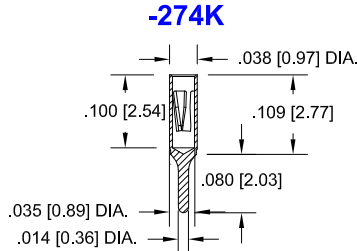
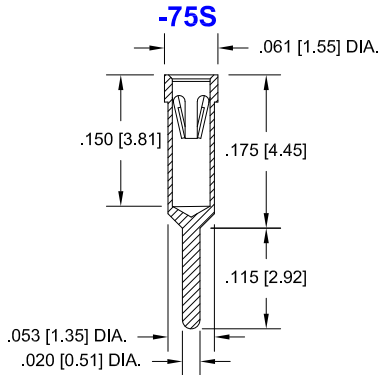
**Fig. 6**  
Thru-Hole: (2) 405-0707-01-295V-R27-L14  
Surface Mount: (2) 405-0707-01-439V-R27-L14

## NANOPLUS GmbH Continued Terminal

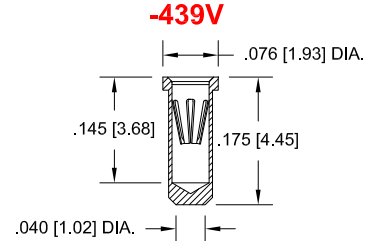
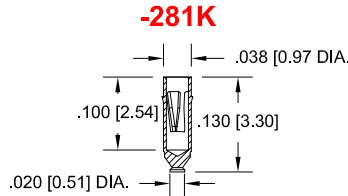
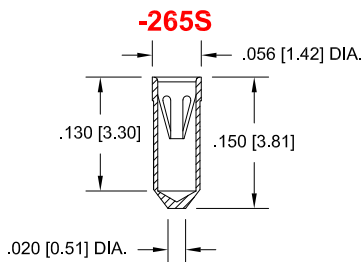
Cross Section View Shown Units: in [mm]

Other Terminal Layouts and Configurations available

### THRU HOLE OPTION



### SURFACE MOUNT OPTION



## Technical Information

### Material:

Insulator: Hi-Temp UL 94V-O  
Terminal: Brass, per ASTM-B16  
Contact: BeCu, Per ASTM-B194

### Plating: RoHS COMPLIANT

R27 TERMINAL: GOLD / CONTACT: GOLD

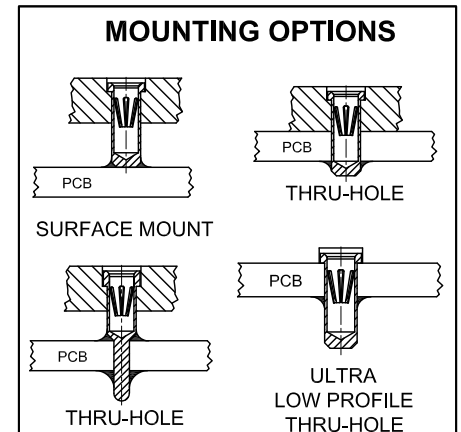
R17 TERMINAL: TIN / CONTACT: GOLD

OTHER PLATINGS AVAILABLE

### Terminal Acceptance and Forces

Thru Hole Terminals				Surface Mount Terminals			
Thru Hole Terminal	Accepts Pin Diameter	Insertion Force	Withdrawal Force	Surface Mount Terminal	Accepts Pin Diameter	Insertion Force	Withdrawal Force
<b>-274K</b>	Ø.018 [Ø0.46]	1.24 oz Max.	0.50 oz Min	<b>-281K</b>	Ø.018 [Ø0.46]	1.24 oz Max.	0.50 oz Min
<b>-75S</b>	Ø.018 [Ø0.46]	9.00 oz Max.	2.00 oz Min	<b>-265S</b>	Ø.018 [Ø0.46]	9.00 oz Max.	2.00 oz Min
<b>-295V</b>	Ø.030 [Ø0.76]	13.23 oz Max.	3.53 oz Min	<b>-439V</b>	Ø.030 [Ø0.76]	13.23 oz Max.	3.53 oz Min

### MOUNTING OPTIONS

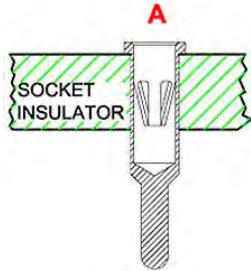


©Copyright 2019 Andon Electronics Corporation. All Rights Reserved. This material is protected under US and other copyrights and may not be copied, sold, or redistributed in any form without written permission of Andon Electronics Corporation. Copyrights and trademarks are property of their respective companies. We reserve the right to change specifications without notice. Andon makes no warranty, expressed or implied, as to the suitability of the sockets for the intended purpose.

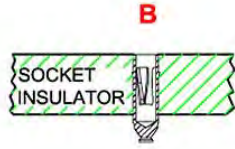
PROPRIETARY  
RoHS Compliant

\*Sockets are not drawn to scale Nanoplus GmbH 07/02/2019

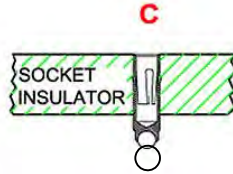
## Mounting Options



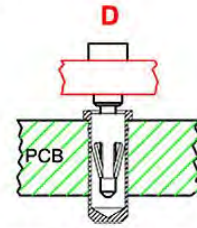
**THRU-HOLE**



**SURFACE MOUNT  
FLAT FOOT**



**SURFACE MOUNT  
ROLLERBALL®**

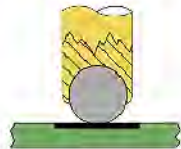


**CARRIER ASSEMBLY  
WITH OR WITHOUT  
SOLDER WASHER**



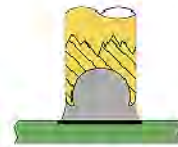
**INDIVIDUAL PIN SOCKET  
WITH OR WITHOUT  
SOLDER WASHER**

### ROLLERBALL® SOCKET



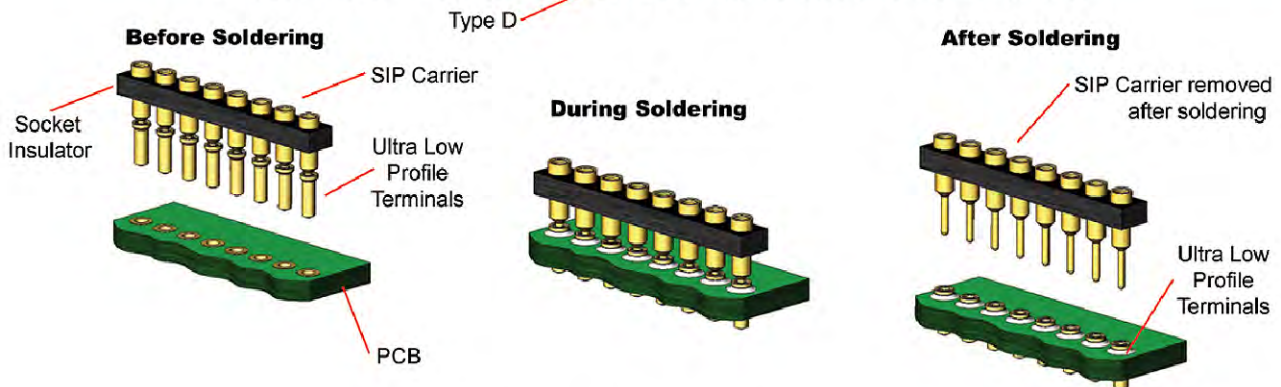
**BEFORE SOLDERING**

### ROLLERBALL® SOCKET



**AFTER SOLDERING**

## ULTRA LOW PROFILE SIP/DIP/PGA CARRIER ASSEMBLY



Available with or without solder washer