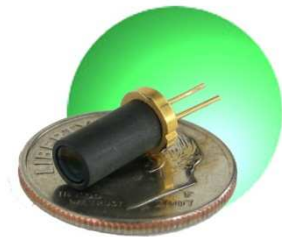


## MicroGreen™ APC Series

Rugged miniature DPSS laser with integrated automatic power control functionality packaged in a standard semiconductor can for integration flexibility and reliability.



MicroGreen™ APC laser displayed on a dime

### Features:

- Convenient standard TO-56 package
- Smallest commercially available green DPSS laser with APC functionality
- Low power consumption
- Wide temperature range

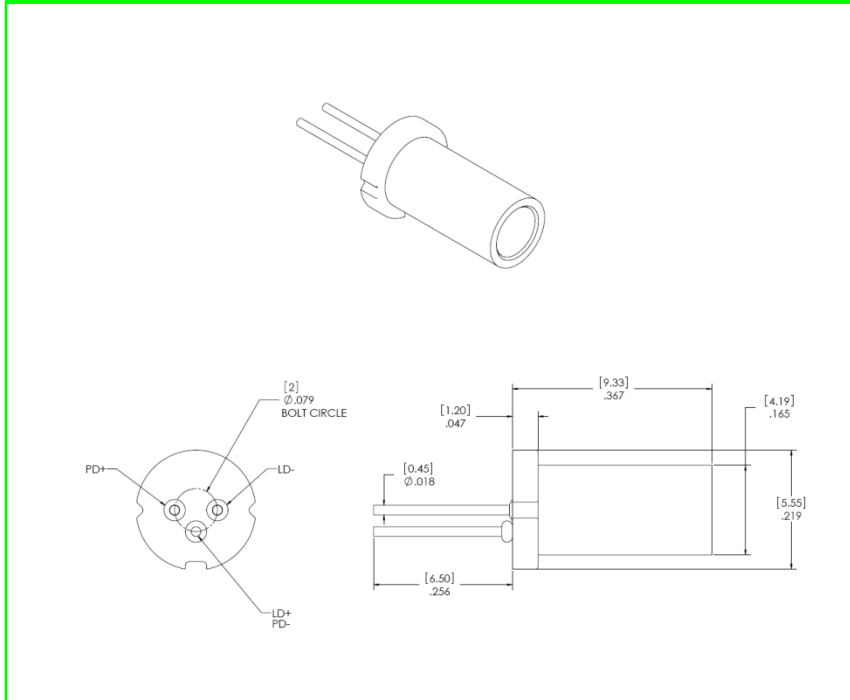
Optical Specifications	MicroGreen™ APC-15 / 5	MicroGreen™ APC-15 / 8	MicroGreen™ APC-50 / 30
Operating Mode	CW		
Output Power (mW)	5	8	30
Output Center Wavelength (nm)	532		
Minimum Operating Temperature Range (°C)	15-35	17-33	17-33
Typical Operating Temperature Span (°C)	30	25	25
Output Power Stability Over Temperature Range (%)	±20		±25
Polarization Ratio (typ.)	4:1		
Full Angle (1/e <sup>2</sup> ) Divergence (mrad, typ.)	7.5		
Beam Diameter (1/e <sup>2</sup> ) at Output Window (µm, typ.)	100		
Mode Quality (M <sup>2</sup> , typ.)	1.1		
Residual 1064nm Leakage (%)	< 0.5		
PD Photo Current (µA.)	30 – 90	75 – 150	350 – 1,000

Electrical Input Requirements		
Voltage (V)	< 2.2	< 2.2
Current (mA)	< 290	< 600
Electrical Power (W)	< 0.64	< 1.32

Other Specifications	
CDRH Class	IIIB
Warm-Up Time (minutes)	< 2
Storage	- 40° to + 80°
Operating Temperature (°C, non-condensing)	~+ 10° to + 50°
Warranty (year)	1

Specifications subject to change without notice.

## Mechanical Specifications



## Notes

Snake Creek Lasers offers a limited warranty.

The MicroGreen™ APC Laser is an electronic device, and, as such, subject to damages due to electro-static discharge, overpowering, and transients.

Thermal management of the MicroGreen™ APC Laser must be included in the OEM design. Failures due to inadequate thermal management will void the warranty.

Please refer to Snake Creek Lasers' Warranty Statement / Return Policy for details. For assistance in any integration issues, please contact our experienced Applications Team at [sales@snakecreeklasers.com](mailto:sales@snakecreeklasers.com)

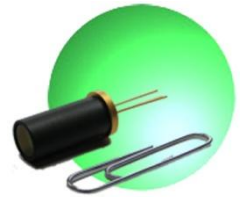
U.S. and international patents pending.

Class IIIB <500 mW



This product is sold as an OEM laser product and does not fully comply with 21 CFR 1020 and IEC 60825-1 : 1993 as applicable.





MiniGreen™ APC laser

## MiniGreen™ APC Series

Rugged miniature DPSS laser with integrated automatic power control functionality packaged in a standard semiconductor can for integration flexibility and reliability.

### Features:

- Convenient standard TO package
- Small can size Ø9.0 mm with APC functionality
- Alignment-free optical design
- Low power consumption
- Wide temperature range
- Low cost

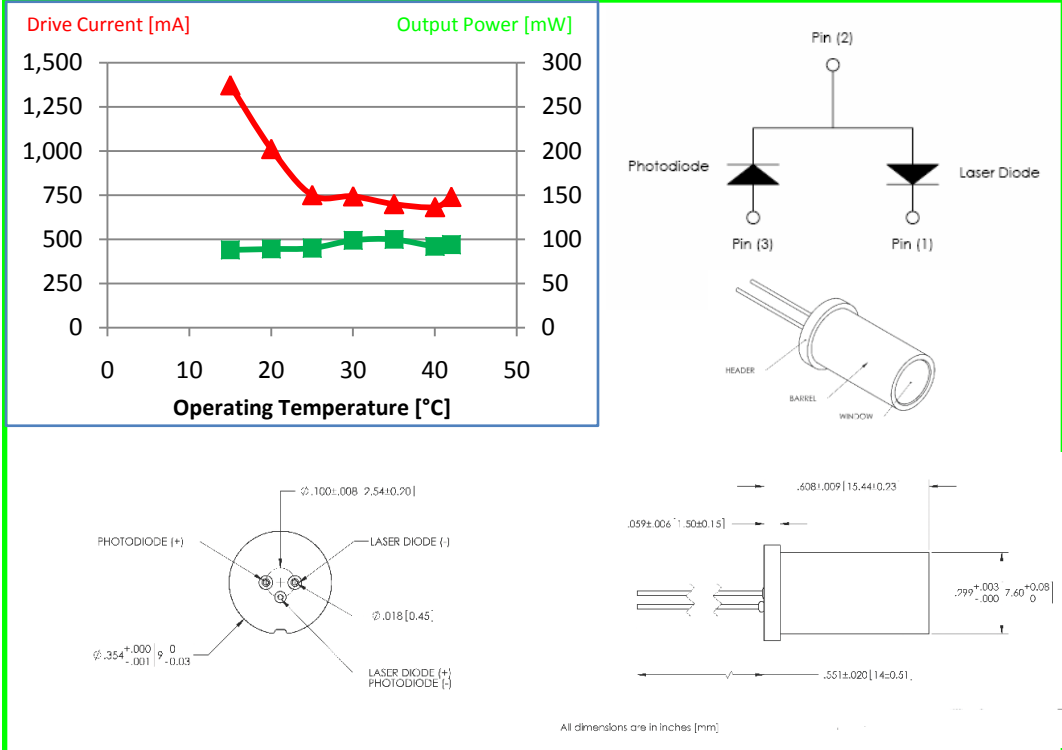
Optical Specifications	MiniGreen™ APC-150/50	MiniGreen™ APC-150/100
Operating Mode	CW	
Output Power (mW)	50	100
Output Center Wavelength (nm)	532	
Minimum Operating Temperature Range ( C)	15 - 35	17 - 33
Typical Operating Temperature Range ( C, non-condensing)	30	25
Output Power Stability in Operating Temperature Range (%)	20	
Polarization Ratio (typ.)	4:1	
Full Angle (1/e <sup>2</sup> ) Divergence (mrad, typ.)	11	
Beam Diameter (1/e <sup>2</sup> ) at Output Window (µm, typ.)	120	
Beam Quality (M <sup>2</sup> , typ.)	1.6	
Residual 1064nm Leakage (%)	< 0.5	
PD Photo Current (mA)	< 2.0	

Electrical Input Requirements	
Voltage (V)	< 2.2
Current (A)	< 1.4
Electrical Power (W)	< 3.1

Other Specifications	
CDRH Class	IIIB
Warm-Up Time (minutes)	< 2
Storage Temperature ( C)	- 40 to +80
Operating Temperature ( C, non-condensing)	~ +10 to + 50
Warranty (year)	1

Specifications subject to change without notice.

## Typical Output Performance, Mechanical Specifications, Electrical Schematic



## Notes

Snake Creek Lasers offers a limited warranty.

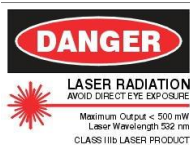
The MiniGreen™ APC Laser is an electronic device, and, as such, subject to damages due to electro-static discharge, overpowering, and transient currents.

Thermal management of the MiniGreen™ APC Laser must be included in the OEM design. Failures due to inadequate thermal management will void the warranty.

Please refer to Snake Creek Lasers' Warranty Statement / Return Policy for details. For assistance in any integration issues, please contact our experienced Applications Team at [info@snakecreeklasers.com](mailto:info@snakecreeklasers.com)

U.S. and international patents pending.

Class IIIB <500 mW



This product is sold as an OEM laser product and does not fully comply with 21 CFR 1020 and IEC 60825-1 : 1993 as applicable.

