

840nm 8W Laser Diodes with 2-Pin Window Package (H-mount) | Square Beam Optional
840nm~850nm 8W High Power LD | Hermetic Package | FAC Lens Optional

WSLD-840-008-H2

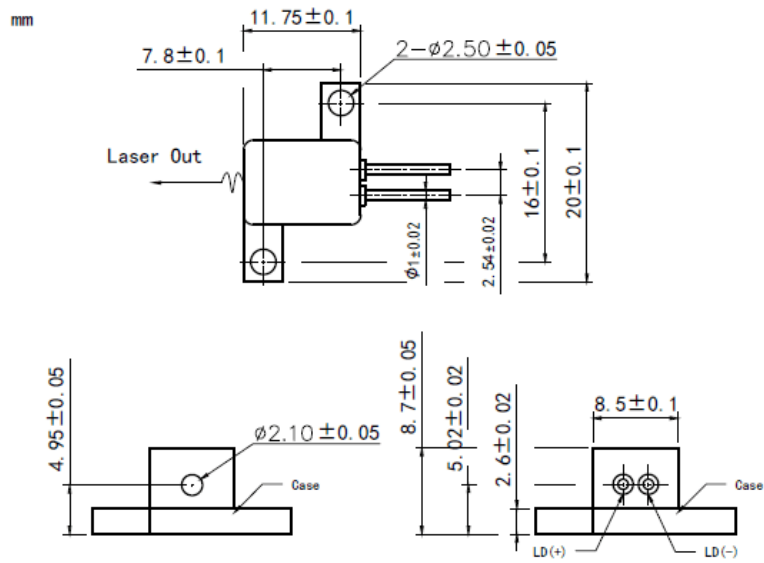
Wavespectrum laser Group.

www.wavespectrum-laser.com

840nm Laser Diode	8W/ 2-Pin Window Package	en.wavespectrum-laser.com.cn	
Reverse Voltage	V_r	2.0	V
Operating Temperature	T_{op}	+10~+30	°C
Storage Temperature	T_{stg}	-20~ +80	°C
Lead soldering temperature (10 sec.)	T_{is}	260	°C
Features: <ul style="list-style-type: none"> ● 840nm ● High Power ,CW, Multi-mode ● 2-Pin Window Package (H-mount) 			
Applications: <ul style="list-style-type: none"> ● Medical Laser Treatment ● Pumping Laser ● Night Vision ● Others 			
Specifications	WSLD-840-008-H2		
	Min	Type	Max
Center Wavelength@25°C	840nm ± 20nm		
Spectral Width (FWHM)	----	3nm	----
Output Power	7W	8W	----
Emitter Area	----	200x1μm	----
Beam Divergence (FWHM)	----	35°_⊥ x 8°_{//}	----
Temperature Coefficient of Wavelength	----	0.3nm / °C	----
Slope Efficiency	----	1.1W/A	----
Threshold Current (Typ.)	----	1.2A	2.0A
Operating Current (Typ.)	----	8.0A	8.5A
Operating Voltage	----	2.0V	2.3V
Package Style	2-Pin Window Package (H-mount)		
Recommended Operating Temperature	25°C		



2-Pin Window Package (H-mount) Package View:



Electrically shorten LD module and store in non-extreme conditions.

Suggest using the constant current power supply.

