

**930nm~940nm 1W Laser Diodes | TO5 9mm Package| Built-in PD**
**940nm 1000mW High Power LD with Photodiode | Square Beam Optional**

WSLD-940-001-2-PD

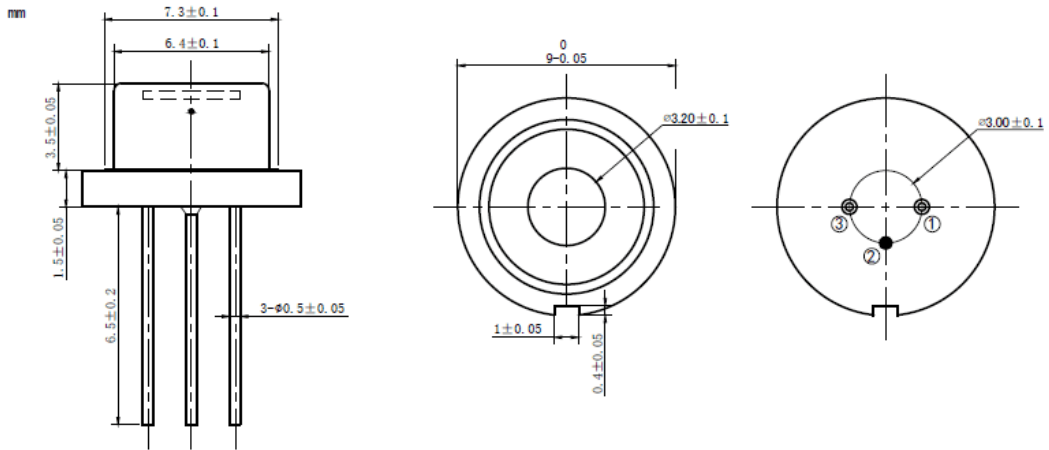
Wavespectrum laser Group.

[www.wavespectrum-laser.com](http://www.wavespectrum-laser.com)

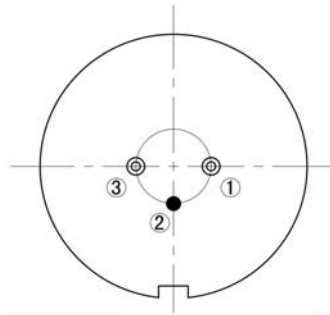
| 940nm Laser Diode   |           | 1W/TO5   |                              | Wavespectrum Laser Group     |  |
|---|-----------|--|------------------------------|------------------------------|--|
| Reverse Voltage   | $V_r$     | 2.0  |                              | V                            |  |
| Operating Temperature   | $T_{op}$  | 0~+40  |                              | °C                           |  |
| Storage Temperature   | $T_{stg}$ | -40~+85  |                              | °C                           |  |
| Lead soldering temperature (10 sec.)  | $T_{is}$  | 260  |                              | °C                           |  |
| <b>Features:</b> <ul style="list-style-type: none"> <li>● 940nm</li> <li>● 1W Output Power</li> <li>● TO5 Package</li> <li>● Built-in PD</li> </ul> |           |  |                              |                              |  |
| <b>Applications:</b> <ul style="list-style-type: none"> <li>● Medical Laser Treatment</li> <li>● Laser Indicator</li> <li>● Others</li> </ul>       |           |  |                              |                              |  |
| <b>Specifications</b>   |           | <b>WSLD-940-001-2-PD</b>   |                              |                              |  |
|   |           | Min  | Type                         | Max                          |  |
| Center Wavelength@25°C  |           | ±5nm   | 940nm                        | ±15nm                        |  |
| Spectral Width (FWHM)   |           | ----   | 2.5nm                        | ----                         |  |
| Output Power  |           | ----   | 1W                           | ----                         |  |
| Recommended Operating Temperature   |           | 25°C   |                              |                              |  |
| Beam Divergence (FWHM)  |           | ----   | $38^\circ \pm x 10^\circ //$ | $40^\circ \pm x 12^\circ //$ |  |
| Temperature Coefficient of Wavelength   |           | ----   | 0.3nm / °C                   | ----                         |  |
| Slope Efficiency  |           | ----   | 1.0W/A                       | ----                         |  |
| Threshold Current (Typ.)  |           | ----   | 0.2A                         | ----                         |  |
| Operating Current (Typ.)  |           | ----   | 1.3A                         | ----                         |  |
| Operating Voltage   |           | ----   | 2.0V                         | ----                         |  |
| Package Style   |           | TO5  |                              |                              |  |
|   |           |  |                              |                              |  |



### TO5 Package View



### PIN Bottom View:



|   |               |
|---|---------------|
| 1 | LD(-)         |
| 2 | LD(+) & PD(-) |
| 3 | PD(+)         |

Electrically shorten LD module and store in non-extreme conditions.

Suggest using the constant current power supply.

