

940nm 3W Laser Diode with C-mount Package| With FAC Lens Optional
940nm High Power 3W LD| Square Beam Optional

WSLD-940-003-C

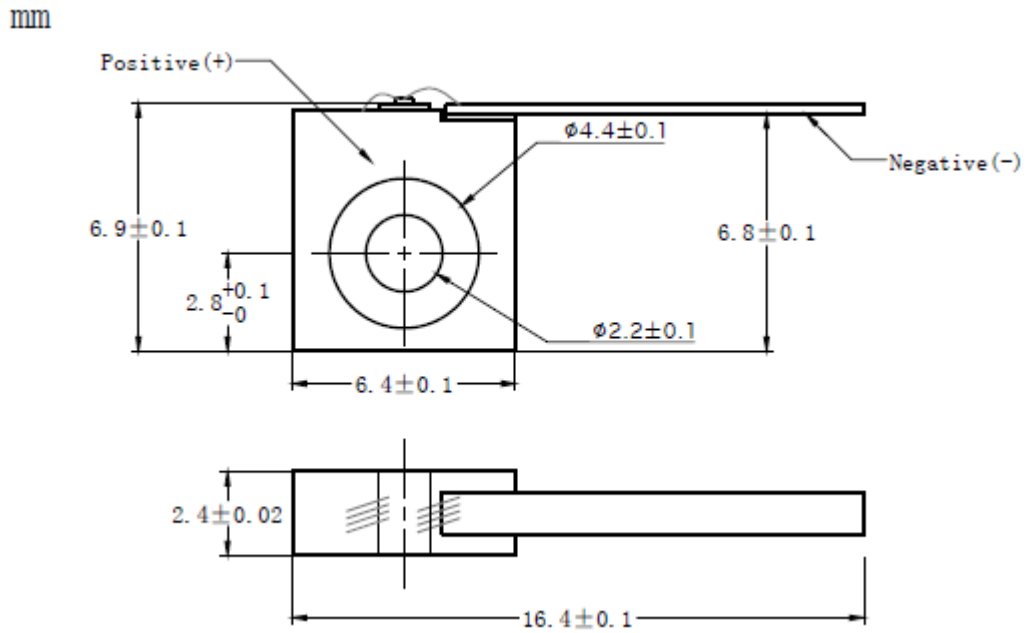
Wavespectrum laser Group

www.wavespectrum-laser.com

940nm Laser Diode		3W/C-mount		Wavespectrum Laser Group	
Reverse Voltage	V_r	2.0		V	
Operating Temperature	T_{op}	+10~+30		°C	
Storage Temperature	T_{stg}	-20~+80		°C	
Lead soldering temperature (10 sec.)	T_{is}	260		°C	
Features: <ul style="list-style-type: none"> ● 940nm ● CW ● C-mount Package 					
Applications: <ul style="list-style-type: none"> ● Medical Laser Treatment ● Laser Indicator ● Laser Detector 					
Specifications		WSLD-940-003-C			
		Min	Type	Max	
Center Wavelength@25°C		+/-3nm	940nm	+/-10nm	
Spectral Width (FWHM)		----	3.0nm	----	
Output Power		----	3W	----	
Emitter Area		100x1μm or 150x1μm			
Beam Divergence (FWHM)		----	35°± x 8°//	----	
Temperature Coefficient of Wavelength		----	0.3nm / °C	----	
Slope Efficiency		----	1.1mW/mA	----	
Threshold Current (Typ.)		----	0.3A	0.6A	
Operating Current (Typ.)		----	3.1A	3.4A	
Operating Voltage		----	1.75V	2.0V	
Package Style		C-mount			
Recommended Operating Temperature		25°C			



C-mount Package View



**Electrically shorten LD module and store in non-extreme conditions.
 Suggest using the constant current power supply.**

