


940nm 5W Laser Diode with C-mount Package| Square Beam Optional
940nm 5W High Power LD| FAC Optional

WSLD-940-005-C

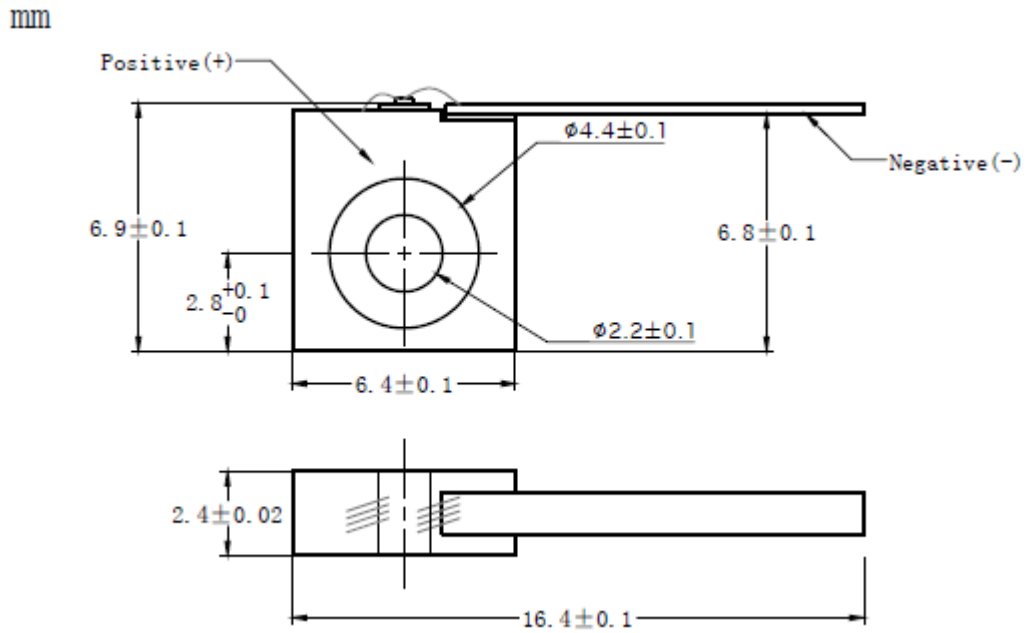
Wavespectrum laser Group

www.wavespectrum-laser.com

940nm Laser Diode		5W/C-mount		Wavespectrum Laser Group	
Reverse Voltage	V_r	2.0		V	
Operating Temperature	T_{op}	+10~+30		°C	
Storage Temperature	T_{stg}	-20~ +80		°C	
Lead soldering temperature (10 sec.)	T_{is}	260		°C	
Features: <ul style="list-style-type: none"> ● 940nm ● CW ● C-mount package 					
Applications: <ul style="list-style-type: none"> ● Medical Laser Treatment ● Laser Indicator ● Laser Detector 					
Specifications		WSLD-940-005-C			
		Min	Type	Max	
Center Wavelength@25°C		+/-5nm	940nm	+/-10nm	
Spectral Width (FWHM)		----	4.0nm	----	
Output Power		----	5W	----	
Emitter Area		200x1μm			
Beam Divergence (FWHM)		----	35° _⊥ x 8° _{//}	----	
Temperature Coefficient of Wavelength		----	0.3nm / °C	----	
Slope Efficiency		1.0mW/mA	----	----	
Threshold Current (Typ.)		----	0.7A	1.0A	
Operating Current (Typ.)		----	5.3A	5.5A	
Operating Voltage		----	1.5V	1.8V	
Package Style		C-mount			
Recommended Operating Temperature		25°C			



C-mount Package View



Electrically shorten LD module and store in non-extreme conditions.
 Suggest using the constant current power supply.

